



MaxFlo VS™ 500

»»» Variable-Speed Pump

**DURABLE DESIGN,
SUPERIOR SAVINGS**

Intuitive control pad can be rotated in four directions on the pump or removed and wall mounted



Upgraded dual-voltage motor drive maintains optimal operating efficiency



EXPERT LINE
ONLY FROM POOL PROS

See-through strainer cover lets you see when the basket needs cleaning

1 1/2" x 2" union connections allow for seamless installation in any application

Advanced hydraulic design offers increased efficiency and incredibly quiet operation, especially at lower speeds



UNRIVALED RELIABILITY
A chemical-resistant Viton® seal and a 3-year warranty mean MaxFlo VS™ 500 will provide years of powerful performance.

ENERGY-EFFICIENT DESIGN
With a super-efficient permanent magnet, totally enclosed fan-cooled motor, MaxFlo VS 500 provides up to 80% energy savings over single-speed pumps and pays for itself faster than larger, more expensive models. Its ENERGY STAR® rating means local energy rebates may apply, too.

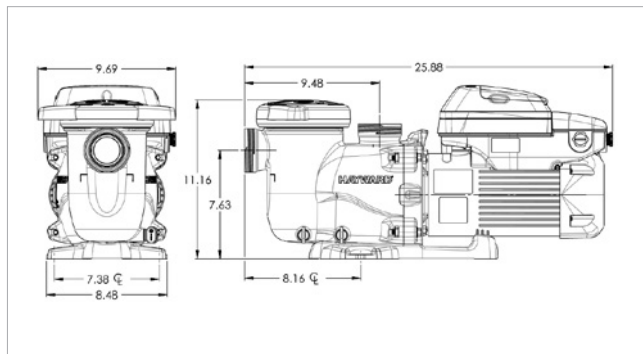
UNIVERSAL COMPATIBILITY
Built with dual-voltage capability, MaxFlo VS 500 is an easy, drop-in upgrade that can operate in standalone mode or connect to any automation system, either directly or with relays.



SPECIFICATIONS

MODEL NUMBER	STAND ALONE	RELAY CONTROL	HAYWARD® AUTOMATION	UNION CONNECTIONS	TOTAL HP	VOLTAGE	WARRANTY
SP23520VSP	•	•	•	1.5" x 2"	1.65	230/115V	3 years

MAXFLO VS 500 DIMENSIONS (INCHES)



*Compared to single-speed pumps.

MaxFlo VS 500 pumps are listed by:

MAXFLO VS 500 PERFORMANCE COMPARISON

