



5 YEAR
WARRANTY



HIGH-PERFORMANCE FILTRATION ENGINEERED TO STAND THE TEST OF TIME.

The large-format HCF Series sand filters are designed to provide the ultimate in filtration performance and durability. Larger sizes eliminate the need to use multiple smaller filters, meaning you'll save valuable floor space and reduce installation and plumbing complexity—and simplify maintenance and backwashing, too. Constructed with heavy-duty filament-wound fiberglass, a UV-protected resin and corrosion-proof internals, the large-format HCF Series sand filters offers a powerful, streamlined filtration solution for the recreational water market.



OPTIMIZED FILTER DESIGN

Multi-diffuser distribution heads and oversized laterals help HCF sand filters distribute water more evenly, lengthening filter cycle time and improving overall filtration effectiveness. An industrial valve and pressure gauge configuration offer increased durability and accuracy.



POWERFUL CORROSION RESISTANCE

Proprietary corrosion-proof resin and fiberglass construction creates a UV-protected finish, guarded against the elements and blooming. The commercial-grade PVC and ABS injection-molded 360 slotted laterals are also resistant against corrosion.

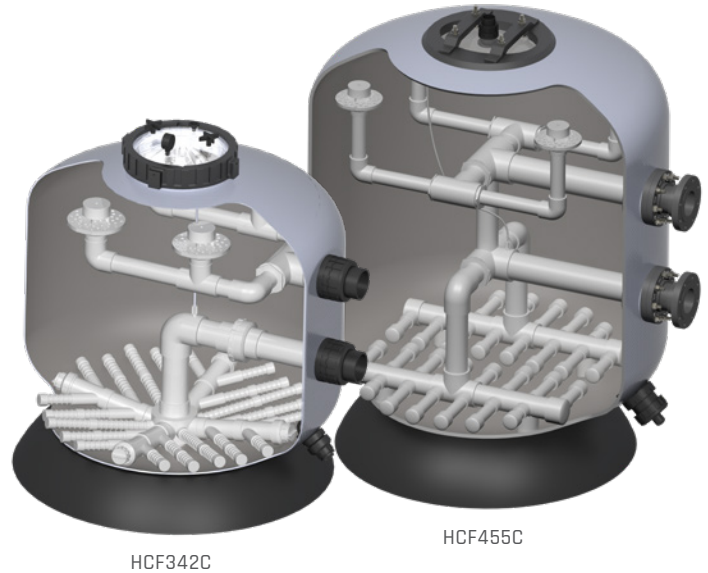


EASE OF ACCESS AND SIMPLE OPERATION

The clear lid is easily accessible from the top of the filter to troubleshoot and simplify operation. Hayward commercial-grade filters always include standard unions and/or ANSI flanges, saving time and money.

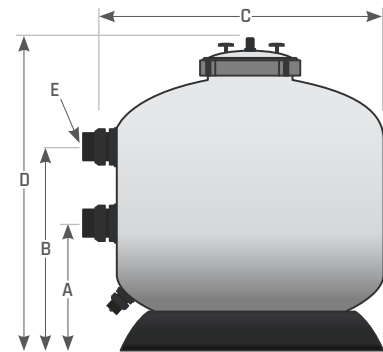
KEY FEATURES

- » **Large-format filters** eliminate the need for multiple smaller filters, saving valuable space while providing flow rates up to 433 GPM
- » **Manufactured from heavy-duty filament-wound fiberglass** for high-performance and durability
- » **Industrial-grade laterals & quad diffusers** improve filtration and lengthen filter cycle time
- » **Durable fiberglass base** for sturdy installation
- » **Reduced installation & plumbing complexity** with simplified maintenance and backwashing
- » **Drain port conveniently located** in the center of the filter



DIMENSIONS

FILTER MODEL NUMBER	DIMENSIONS (INCHES)					GRAVEL/SAND QTY. LBS.	INSTALLATION CLEARANCE (INCHES)		CARTON WEIGHT LBS.	CARTON DIMENSIONS (LxWxH)
	A	B	C	D	E		VERT.	HOR.		
HCF342C	19.64	31.46	42	48.66	3	225/1400	18	4	224.8	46.1" x 43.3" x 49.2"
HCF348C	27.12	38.94	48	58.03	3	600/2250	18	4	275.5	51.2" x 50" x 57.9"
HCF455C	31.90	48.90	55	74.50	4	500/5300	18	4	599.5	63" x 59.1" x 74.8"
HCF663C	28.22	47.22	67.25	75.82	6	850/6800	18	4	698.7	70.9" x 66.9" x 76.4"



TECHNICAL SPECIFICATIONS & PERFORMANCE DATA

Part Number	HCF342C		HCF348C		HCF455C		HCF663C	
Size of Fiberglass Sand Filter	42"		48"		55"		63"	
Filtration Area/ft ² /M ²	9.83	0.91	13.40	1.24	16.49	1.53	21.64	2.01
Filtration Rate GPM/ft ²	5-20		5-20		5-20		5-20	
Filtration Flow Rate at 15 GPM/ft ² [GPM] [LPM]	147	559	201	762	247	937	325	1230
Filtration Flow Rate at 20 GPM/ft ² [GPM] [LPM]	197	745	268	1014	330	1249	433	1639
Backwash Flow Rate GPM/ft ²	5-20		5-20		5-20		5-20	
Maximum Working Pressure (PSI)	50		50		50		50	
Multiport Valve Part Number	HCV375C		HCV375C		HCV475C		HCV475C	
Inlet/Outlet Connection Type	Union/ANSI Flange*		Union/ANSI Flange*		ANSI Flange*		ANSI Flange*	
Inlet/Outlet Port Diameter	3"		3"		4"		6"	

* Inlet/outlet connection type included.

» haywardcommercialpool.com » (301) 838-4001

HCF Sand Filters are listed by:



Hayward, Hayward & Design and the H logo are registered trademarks of Hayward Industries, Inc. All other trademarks not owned by Hayward are the property of their respective owners. Hayward is not in any way affiliated with or endorsed by those third parties. © 2022 Hayward Industries, Inc.

LITHCFBWSF22

