



## Super Pump<sup>®</sup>

»»» Medium-Head Pump Series

THE WORLD'S BEST-SELLING  
POOL PUMP



## PROVEN PERFORMANCE FOR POOLS OF ALL SIZES AND TYPES.

Hayward® Super Pump® medium-head pumps set the industry standard for excellence and value. Their heavy-duty, high-performance motor and airflow ventilation provide quieter, cooler, more efficient operation for virtually any pool or spa, while their exclusive service-ease design offers quick 4-bolt access to all internal components. With these and other advanced features, it's easy to see why Super Pump is the best-selling medium-head pool pump in the world.

## KEY FEATURES

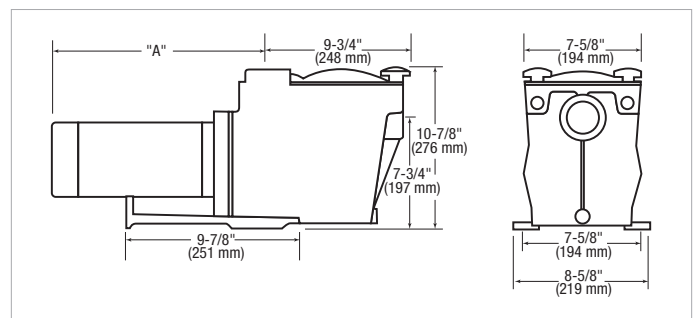
- » **Exclusive swing-away hand knobs** make for easy strainer cover removal without tools
- » **See-through strainer cover** lets you see when the basket needs cleaning
- » **Extra-large debris basket** provides added leaf-holding capacity for less frequent maintenance



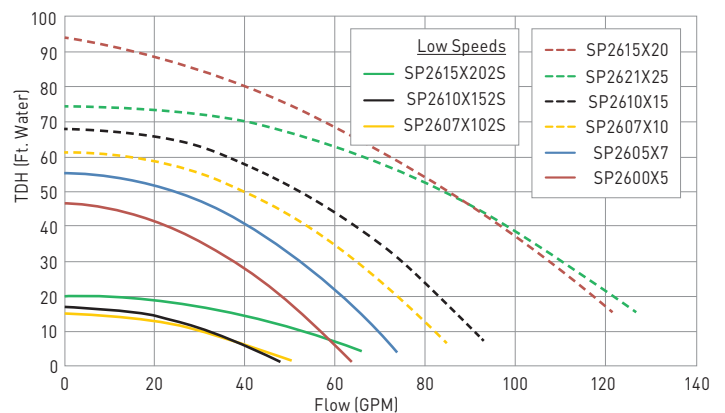
## SPECIFICATIONS

MODEL NUMBER	HORSEPOWER			PIPE SIZE	DIMENSION "A"
	TOTAL HP	HP	SERVICE FACTOR		
Standard Efficient Max-Rated Single Speed					
SP2600X5	0.60	½	1.20	1½ in	13 ¼ in / 337 mm
SP2605X7	0.75	¾	1.00	1½ in	13 ⅝ in / 352 mm
SP2607X10	1.10	1	1.10	1½ in	14 ¼ in / 362 mm
SP2610X15	1.50	1½	1.00	1½ in	15 ⅝ in / 391 mm
SP2615X20	2.00	2	1.00	2 in	15 ⅞ in / 403 mm
SP2621X25	2.50	2½	1.00	2 in	16 ⅜ in / 416 mm
Standard Efficient Max-Rated Dual Speed					
SP2607X102S	1.00	1	1.00	2 in	13 in / 330 mm
SP2610X152S	1.50	1½	1.00	2 in	13 ¾ in / 349 mm
SP2615X202S	2.00	2	1.00	2 in	14 ¼ in / 362 mm

## SUPER PUMP SERIES DIMENSIONS (INCHES)



## SUPER PUMP FLOW VS. TOTAL HEAD



» [hayward.com](http://hayward.com) » 1-888-HAYWARD

Super Pump series pumps are listed by:



Pumps » Filters » Heating » Cleaners » Sanitization » Automation » Lighting » Water Effects » White Goods

Hayward and Super Pump are registered trademarks of Hayward Industries, Inc. © 2017 Hayward Industries, Inc. All other trademarks not owned by Hayward are the property of their respective owners. Hayward is not in any way affiliated with or endorsed by those third parties.

LITSUPER17

