

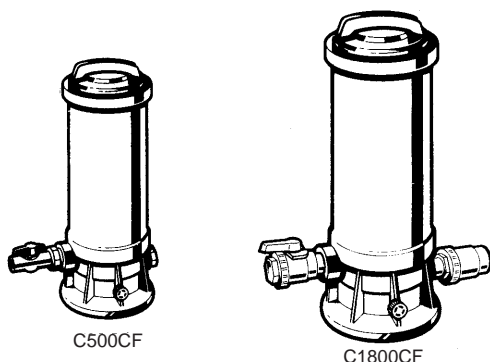
# OWNER'S GUIDE

## INSTALLATION AND OPERATING INSTRUCTIONS

# HAYWARD® CHEMICAL FEEDER

## MODELS

C250CF, C500CF, C1100CF, C1800CF, C2400CF



C500CF

C1800CF

Your Hayward Automatic Chemical Feeder is designed for installation next to filter/pump system. It uses either Trichloro-S-Triazinetrione (tri-chlor) slow dissolving chlorine or bromine sticks or tablets **ONLY**. No other type of chemical should ever be used in your feeder. It should be installed to operate by the pressure differential of the system, or a pressure-suction combination, using the pump to provide water flow through the feeder. The amount of sanitizer dissolved depends on the flow rate through the feeder. By regulating the Dial Control Valve between FULL (more sanitizer) and toward OFF (less sanitizer), you can easily adjust the rate of feed necessary to maintain the proper residual for your pool.

### DANGER—READ CAREFULLY

Always read label and carefully follow the sanitizer manufacturer's and dealer's recommendations for proper water conditioning and daily sanitizer requirements for your particular pool. This chemical feeder is designed to use only either Trichloro-s-Triazinetrione (tri-chlor) slow dissolving chlorine or bromine sticks or tablets. **NEVER MIX** or use any other types of chlorine sanitizer or chemicals in this feeder. Explosion or fire may result, causing property damage, personal injury or death.

**WARNING: MISUSE MAY RESULT IN SERIOUS PERSONAL INJURY REQUIRING HOSPITALIZATION. RELATED COMPLICATION MAY LEAD TO DEATH.**

Exercise extreme caution when opening or servicing your feeder. Always shut off pump and available valves before opening feeder. **NEVER OPEN** chemical feeder when pump is running. Do not inhale fumes from any chemical feeder or container. Protect your eyes, skin and clothing from chemicals at all times with gloves and face shield. To prevent build up of gas in chemical feeder, be sure return line valve(s) is kept open—except when opening/servicing unit.

**WARNING: IF THESE INSTRUCTIONS ARE NOT FOLLOWED EXACTLY, A FIRE OR EXPLOSION MAY RESULT, CAUSING PROPERTY DAMAGE, PERSONAL INJURY OR DEATH.**

For proper installation of your Chemical Feeder, see Installation Instructions on next page.

### BROMINE USE:

Before start-up of your chemical feeder, your pool should be properly conditioned and have the recommended bromine residual as listed below. The chemical demand for pools varies based on use, temperature, sunlight, etc. Initially, you'll have to experiment to determine the proper valve setting required for your pool and filter time cycle. As a start, add desired quantity of bromine tablets or sticks, slow dissolving type only, and set Dial Control Valve at 1/2. Test water periodically and adjust Dial Control Valve setting to maintain a proper bromine level.

#### Recommended Bromine Residual:

Residential Pools:	2.0 - 3.0 PPM
Commercial Pools:	3.0 - 5.0 PPM

### CHLORINE USE:

Before start-up of your chemical feeder, your pool should be properly conditioned and have the recommended chlorine residual as listed below. The chemical demand for pools varies based on use, temperature, sunlight, etc. Initially, you'll have to experiment to determine the proper valve setting required for your pool and filter time cycle. As a start, add desired quantity of chlorine tablets or sticks, slow dissolving type only, and set Dial Control Valve between 2 and 4. Test water periodically and adjust Dial Control Valve setting to maintain a proper chlorine level.

#### Recommended Chlorine Residual:

Residential Pools:	1.0 - 2.0 PPM
Commercial Pools:	1.0 - 2.0 PPM

## SPECIFICATIONS

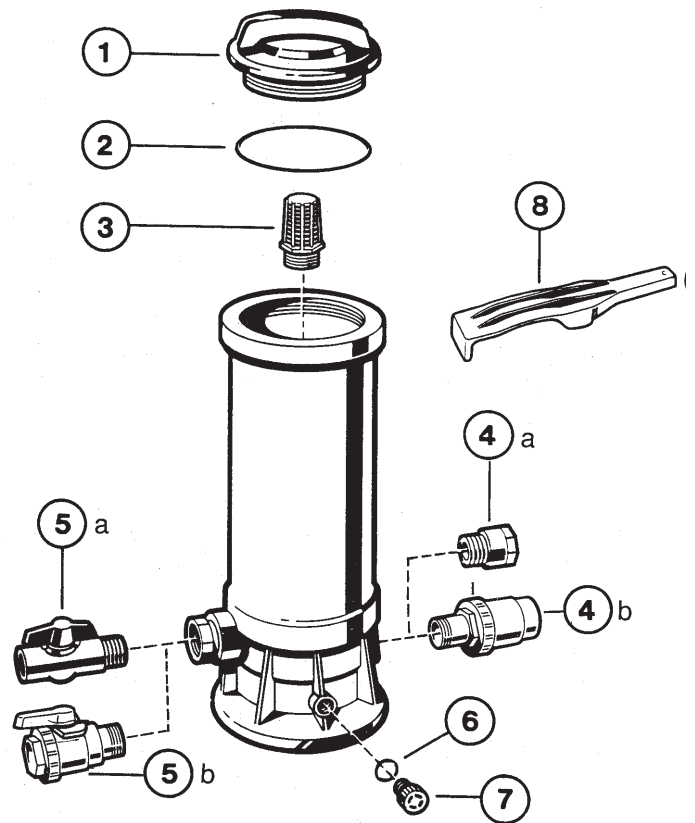
MODEL NO.	PIPE SIZE	FEEDER WIDTH		FEEDER HEIGHT		MAXIMUM WORKING PRESSURE	
		INCHES	CM	INCHES	CM	PSI	BAR
C250CF	3/4" FIP	10.5	26.7	17.5	44.5	50	3.45
C500CF	3/4" FIP	10.5	26.7	27.5	69.9	50	3.45
C1100CF	1-1/2" FIP	13	33	33	83.8	50	3.45
C1800CF	1-1/2" FIP	13	33	45	114.3	50	3.45
C2400CF	1-1/2" FIP	13	33	56	142.2	50	3.45

## PERFORMANCE DATA

Model No.	Max. Chemical Capacity		Max. Output Rate (1 hr.)				Maximum Pool Size			
	Chlorine or Bromine		Chlorine		Bromine		Chlorine		Bromine	
	lbs.	Kilogram	lbs.	Kilogram	lbs.	Kilogram	Gallons	Kiloliter	Gallons	Kiloliter
C250CF	16	7.2	1.50	0.68	0.07	0.03	70,000	265	20,000	76
C500CF	30	13.5	1.75	0.79	0.10	0.05	140,000	530	40,000	151
C1100CF	50	22.7	3.75	1.70	0.30	0.14	262,500	994	75,000	284
C1800CF	70	31.8	4.00	1.81	0.35	0.16	350,000	1325	100,000	379
C2400CF	90	40.9	4.75	2.15	0.40	0.18	525,000	1987	150,000	568

## PARTS

REF. NO.	PART NO.	DESCRIPTION	NO. REQ'D.
1	SPX3100D	Cover	1
2	SPX3000SV	Cover O-Ring, Viton®	1
3	CX500J	Strainer	1
4a	CX500CV	3/4" Check Valve (C250CF & C500CF)	1
4b	CX1100CV	1-1/2" Check Valve (C1100CF, C1800CF & C2400CF)	1
5a	CX500BV	3/4" Control Valve (C250CF & C500CF)	1
5b	CX1100BV	1-1/2" Control Valve (C1100CF, C1800CF & C2400CF)	1
6	SP605Z2V	Drain Plug O-Ring, Viton®	1
7	C250Z14	1/2" Drain Plug	1
8	SP3100T	Cover Opening Tool	1



A single body assembly is shown for ease of illustration. Models vary in overall height and appearance.

To be N.S.F. Listed, a flow rate indicator must be installed on chemical feeder inlet line.

### TO OPEN CHEMICAL FEEDER:

1. Shut off pump and turn Dial Control Valve to OFF. Wait 1 minute. (If outlet is below water level, close any other in-line valves to prevent possible water back flow.)
2. Turn Cover Cap counter-clockwise to open. Use SP3100T cover opening tool if necessary. **Caution: Do not inhale fumes from feeder.** Allow water in tank to drain automatically to pool. If chemical feeder is installed below water level, open the Drain Valve and allow the tank to drain in a safe manner. Draining the tank should make adding sanitizer easier and safer.

### TO REFILL CHEMICAL FEEDER:

Add desired quantity of either Trichloro-S-Triazinetrione (tri-chlor) slow dissolving chlorine or bromine tablets or sticks. **NEVER** mix chemicals together or use any other type of chlorine sanitizer in this feeder. Explosion or fire may result causing property damage, personal injury or death.

### TO CLOSE CHEMICAL FEEDER:

1. Be sure cover O-Ring is in place. Engage cover threads and turn clockwise to secure. **Hand tighten only.**
2. Place Dial Control Valve to desired setting. Open in-line valves and re-start pump per manufacturer's instructions.

### PRESSURE - PRESSURE INSTALLATION

This uses system pressure differential to divert water through the chemical feeder into the return-to-pool piping after the filter/heater. The inlet of the chemical feeder is connected to the discharge side of the pump (before the filter) and the outlet is connected after the filter (and heater if installed). This creates a pressure-pressure piping circuit through the feeder. If a heater is installed, a check valve must be installed between the heater outlet and the chemical feeder return. This will prevent a high concentration of the sanitizing agent from back flowing into the heater. This back flow can occur from a pressure differential when the pump is shut off. If a high concentration of sanitizer flows into the heater, it will cause the copper heat exchanger to deteriorate and possibly leak. If this happens, a fire or explosion may result causing property damage, personal injury or death.

### PRESSURE - SUCTION INSTALLATION

With this method, the inlet pipe of the chemical feeder is connected to the discharge side of the pump (before the filter); and the outlet is connected back to the suction side of the pump (before the pump). This creates a pressure-suction piping circuit through the feeder. **Do not use this installation method if a heater is installed in the system.** This method of installation allows too high of concentration of sanitizer to pass through the system than is safe for the copper heat exchanger of a heater. This installation may cause the heat exchanger to deteriorate and possibly leak. If this happens, a fire or explosion may result, causing property damage, personal injury or death.

### GENERAL INFORMATION:

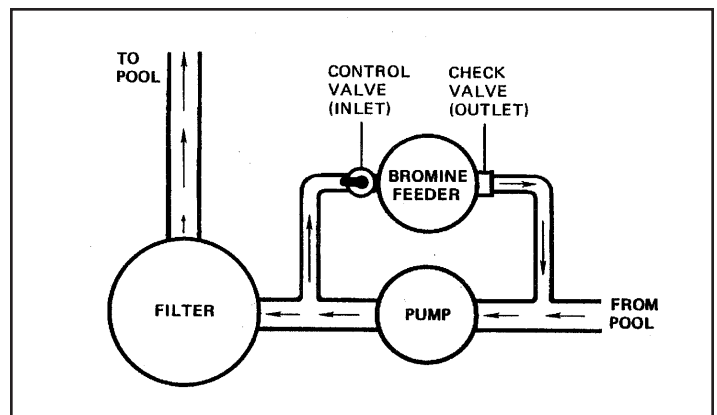
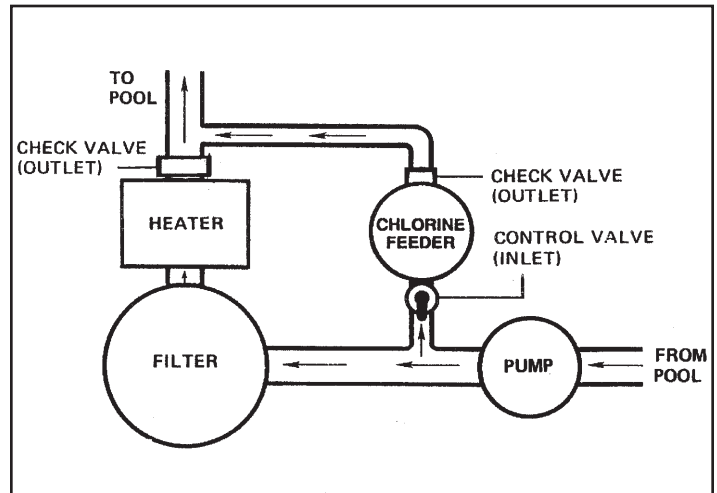
Turn Dial Control Valve to OFF when vacuuming, backwashing, or adding D.E. to filter, and when adding any other chemical in concentrated form. Never use petroleum type lubricants on cover O-ring. If lubrication becomes necessary, use non-petroleum based lubricants such as Jack's No. 327 lube or Ivory® bar soap.

Flush tank once a week by opening Dial Control Valve to full. Run for approximately 1 minute. Reset Dial Control Valve to desired setting.

Close feeder Dial Control Valve when vacuuming, backwashing or adding D.E. to filter, and when adding other chemicals to your pool.

### WINTERIZING:

Where freezing temperatures can be expected, drain all water from feeder. Carefully remove any undissolved, damp tri-chlor or bromine tablets or sticks. Rinse out chemical feeder thoroughly with water. Replace Cover and engage 1-1/2 turns. Keep unit covered all winter to prevent entrance or rain or snow.





# **HAYWARD POOL PRODUCTS, INC.**

Hayward Pool Products, Inc.  
900 Fairmount Avenue  
Elizabeth, NJ 07207

Hayward Pool Products, Inc.  
2875 Pomona Boulevard  
Pomona, CA 91768

Hayward Pool Products Canada  
2880 Plymouth Drive  
Oakville, Ontario L6H 5R4

Hayward S.A.  
Zone Industrielle de Jumet  
B - 6040 Charleroi (Belgium)