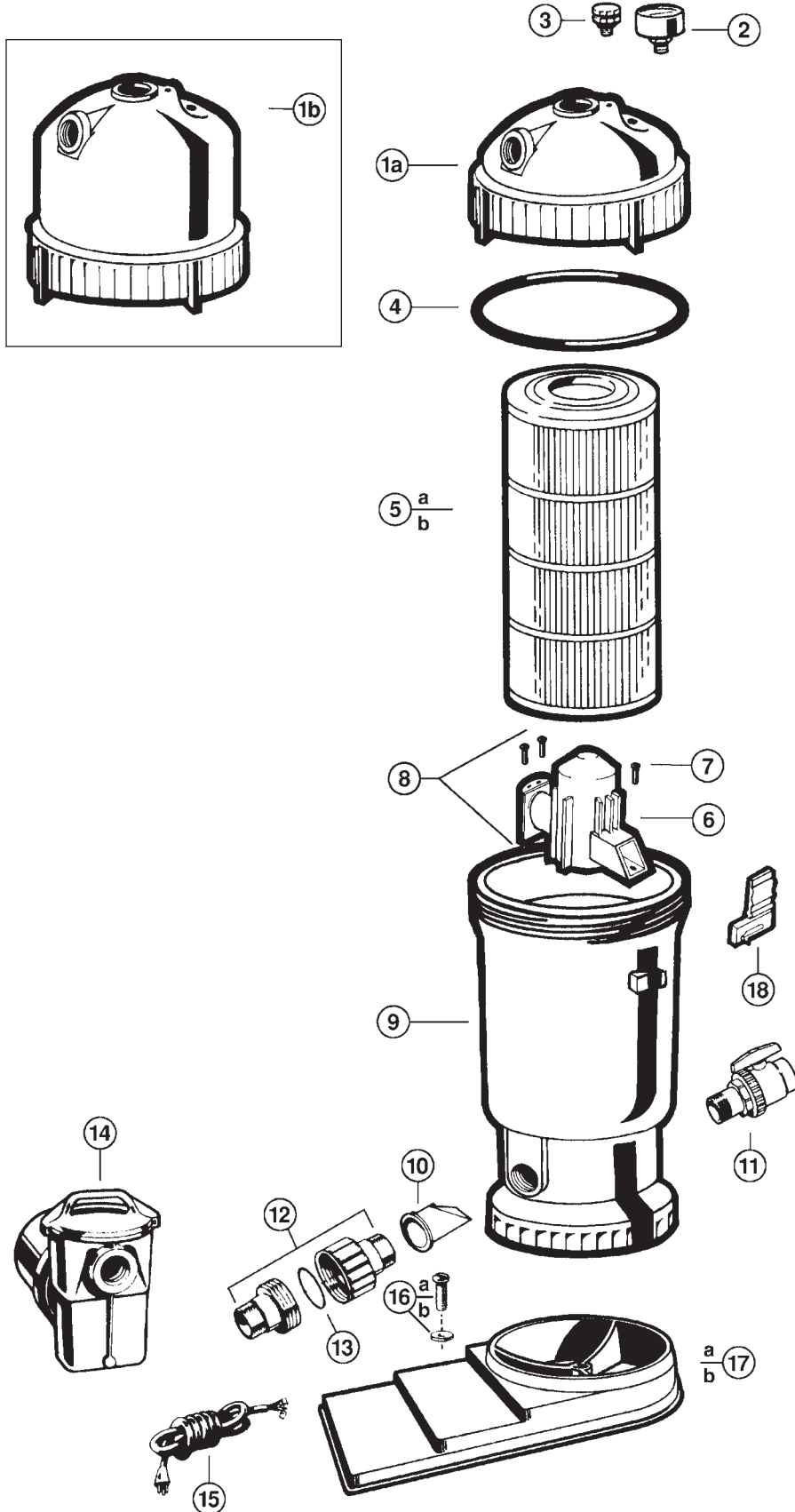


ASL Filter Series

C850, C1250 CARTRIDGE FILTER SERIES REPLACEMENT PARTS

Parts Diagram

Filters



ASL Filter Series

C850, C1250 CARTRIDGE FILTER SERIES REPLACEMENT PARTS

Parts Listing

Ref. No.	Part No.	Description	Ctn.	Qty.	No. Req'd
1a	SCX45BC	C850 Lid with Locking Ring	1	1	
1b	SCX70BC	C1250 Lid with Locking Ring	1	1	
2	ECX27091	Pressure Gauge	25	1	
3	ECX1322A	Directional Vent Valve with O-Ring	20	1	
4	RGX45G	Filter Head O-Ring	10	1	
5a	CX850RE	Cartridge Element	1	1	
5b	CX1250RE	Cartridge Element	1	1	
6	RGX45D*	Diffuser	10	1	
7	RGX45Z1	Diffuser Screws	50	3	
8	RGX45DA	Diffuser and Diffuser Screws (3) (Includes #6 & 7)	10	1	
9	RGX45AA	Filter Body	1	1	
10	ECX4077B1	Check Valve	20	1	
—	ECX1005A	Snap Ring for Check Valve	—	1	
11	SP0723	Ball Valve	24	1	
12	SP1480	1 1/2" Male Union	50	1	
13	SPX1425Z6	O-Ring	25	1	
14	Varies per model	Power-Flo Pump	1	1	
15	SPX1250WA	6 ft. Cord Set	10	4	
16a	ECX1108A	Pump Mounting Screw with Washer	10	4	
16b	ECX1161Z2	Pump Mounting Screw Set with Washer	10	4	
17a	EC1169PAK	Modular Platform Base	—	1	
17b	EC1161PAK	Modular Platform Base	1	1	
18	CX400D	Locking Ring Latch	10	1	

NOTE: *Limited Quantity Available – Replace with RGX45DA