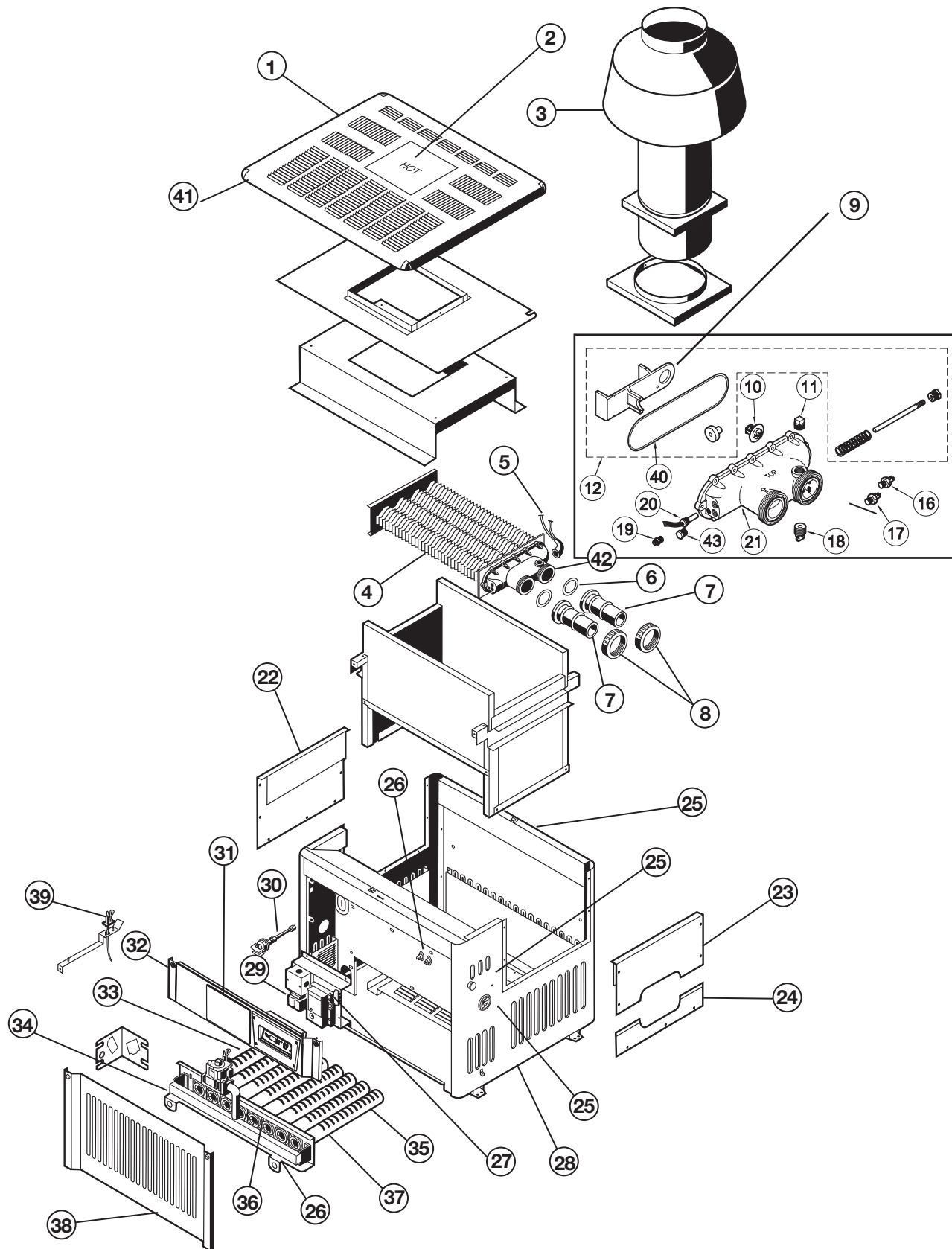




H-Series – Electronic (ED2 Style)

HEATER REPLACEMENT PARTS

Parts Diagram



Heating

H-Series – Electronic (ED2 Style)

HEATER REPLACEMENT PARTS



Parts Listing

Ref. No.	Part Number	Description	Ref. No.	Part Number	Description	Ref. No.	Part Number	Description
1	HAXJKT1150	Jacket Top Assembly – 150	12	HAXBPK1932	By-Pass Valve Kit	37	HAXBMA1203	Burner – Manifold Ass'y 200 DS NA
1	HAXJKT1200	Jacket Top Assembly – 200	16	HAXHLI1930	Hi-Limit 135°F	37	HAXBMA1204	Burner – Manifold Ass'y 200 DS LP
1	HAXJKT1251	Jacket Top Assembly – 250	17	HMXHLI2932	Hi-Limit 160°F	37	HAXBMA1253	Burner – Manifold Ass'y 250 DS NA
1	HAXJKT1301	Jacket Top Assembly – 300	18	HAXDRV1930	Drain Valve Assembly	37	HAXBMA1254	Burner – Manifold Ass'y 250 DS LP
1	HAXJKT1351	Jacket Top Assembly – 350	19	HAXPSA1930	Pressure Switch Adapter	37	HAXBMA1303	Burner – Manifold Ass'y 300 DS NA
1	HAXJKT1401	Jacket Top Assembly – 400	20	IDXLTER1930	Thermistor	37	HAXBMA1304	Burner – Manifold Ass'y 300 DS LP
2	HAXDHO1930	DHO Insert	21	HAXFHD1931	Front Header Only	37	HAXBMA1353	Burner – Manifold Ass'y 350 DS NA
3	DHI150	Indoor Drafthood – 150	22	HAXLAC1930	Left Access Cover	37	HAXBMA1354	Burner – Manifold Ass'y 350 DS LP
3	DHI200	Indoor Drafthood – 200	23	HAXURA1930	Upper Right Access Cover	37	HAXBMA1403	Burner – Manifold Ass'y 400 DS NA
3	DHI250	Indoor Drafthood – 250	24	HAXLRA1931	Lower Right Access Cover	37	HAXBMA1404	Burner – Manifold Ass'y 400 DS LP
3	DHI300	Indoor Drafthood – 300	25	HAXPHK1930	Plastic Hardware Kit	38	HAXFAD1150	Front Access Door Assembly – 150
3	DHI350	Indoor Drafthood – 350	26	HAXTLK1930	Temperature Limiters Kit	38	HAXFAD1200	Front Access Door Assembly – 200
3	DHI400	Indoor Drafthood – 400	27	IDXLTM1931	6-Pole Terminal Block	38	HAXFAD1250	Front Access Door Assembly – 250
3	HWS150	High Wind Stack – 150	28	CHXGRL1930	TA-2 Ground Lug	38	HAXFAD1300	Front Access Door Assembly – 300
3	HWS200	High Wind Stack – 200	29	CHXTRF1930	Transformer	38	HAXFAD1350	Front Access Door Assembly – 350
3	HWS250	High Wind Stack – 250	30	HAXPSA1930	Pressure Switch Assembly	38	HAXFAD1400	Front Access Door Assembly – 400
3	HWS300	High Wind Stack – 300	31	HAXCPA1932	Control Bezel Assembly	39	HAXIGN1931	Ignitor Assembly
3	HWS350	High Wind Stack – 350	33	HAXGSV0004	Gas Valve, DS Propane	40	HAXHOR1930	Header O-Ring
3	HWS400	High Wind Stack – 400	33	HAXGSV0005	Gas Valve, DS Natural Gas	41	HAXCIA1930	Corner Piece Kit (4)
4	HAXHXA1153	Heat Exchanger Assembly – 150	34	HAXMAN1150	Gas Manifold – 150	42	HAXFHA1930	Front Header Assembly
4	HAXHXA1203	Heat Exchanger Assembly – 200	34	HAXMAN1200	Gas Manifold – 200	43	HAXPLG1931	3/8" Brass Plug
4	HAXHXA1253	Heat Exchanger Assembly – 250	34	HAXMAN1250	Gas Manifold – 250	—	HAXWHA0008	Main Wire Harness (not shown)
4	HAXHXA1303	Heat Exchanger Assembly – 300	34	HAXMAN1300	Gas Manifold – 300	—	IDXL2FSK1930	Complete Fuse Kit (not shown)
4	HAXHXA1353	Heat Exchanger Assembly – 350	34	HAXMAN1350	Gas Manifold – 350			
4	HAXHXA1403	Heat Exchanger Assembly – 400	34	HAXMAN1400	Gas Manifold – 400			
5	HAXWHA0007	Rear Wire Harness, DS	35	HAXBRN1930	Burner Tube			
6	HAXFOR1930	O-Rings	36	HAXBON1930	Burner Orifice, Natural Gas			
7	HAXNIP1930	Flange Pipe Nipples	36	HAXBON1931	Burner Orifice, Natural Gas HA			
8	HAXNUT1930	Union Nuts	36	HAXBOP1931	Burner Orifice, Propane HA			
9	HAXBPI1930 / HAXBPI1932		36	HAXBOP1932	Burner Orifice, Propane			
10	HAXFCT1930	Flow Control Thermostat	37	HAXBMA1153	Burner – Manifold Ass'y 150 DS NA			
11	CHXPLG1930	3/4" NPT Brass Plug	37	HAXBMA1154	Burner – Manifold Ass'y 150 DS LP			

Heating