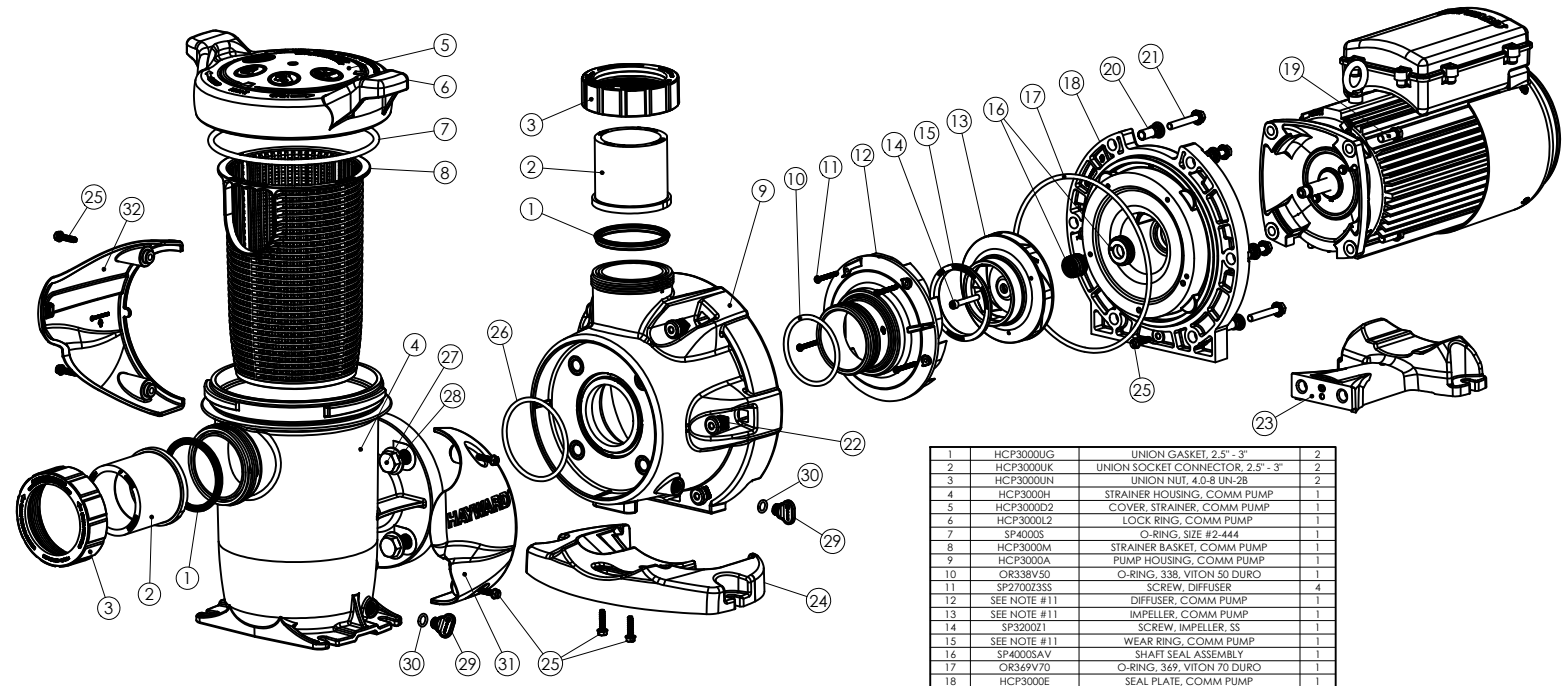
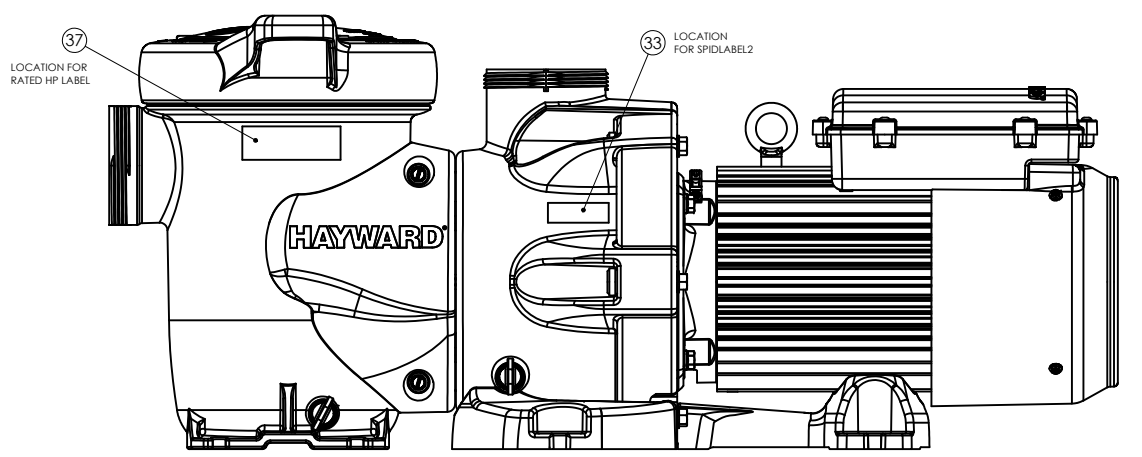
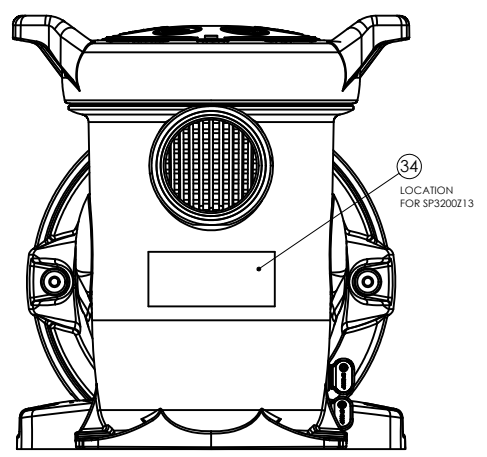
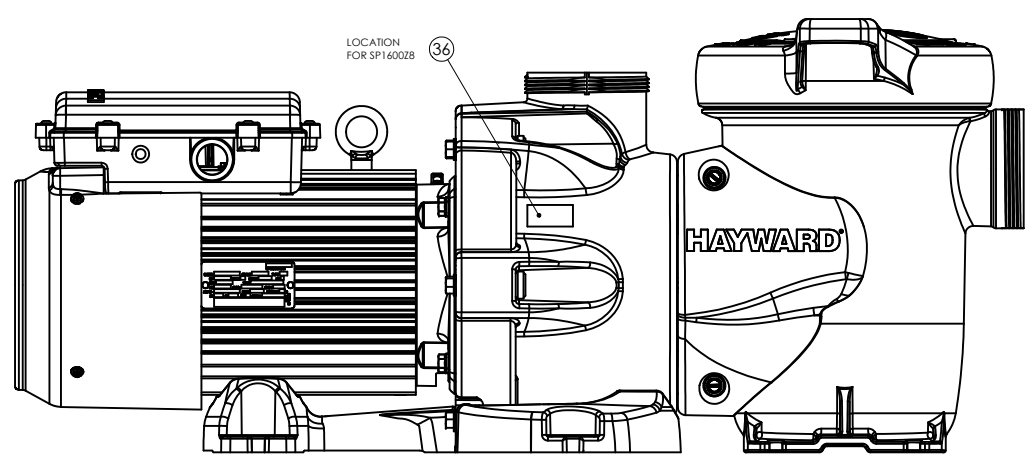
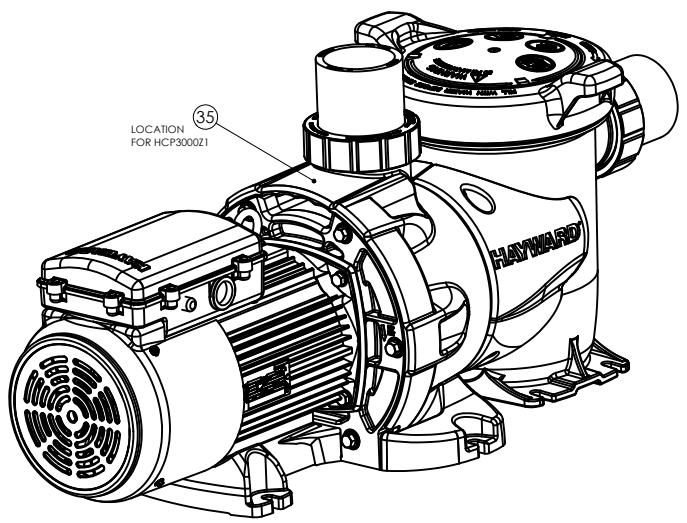


REV.	DESCRIPTION	DATE	FAI / NC/MR	PCD / REM	BY	APPR
1A	RELEASED FOR PRODUCTION	07/2014		141805	SEC.	JR

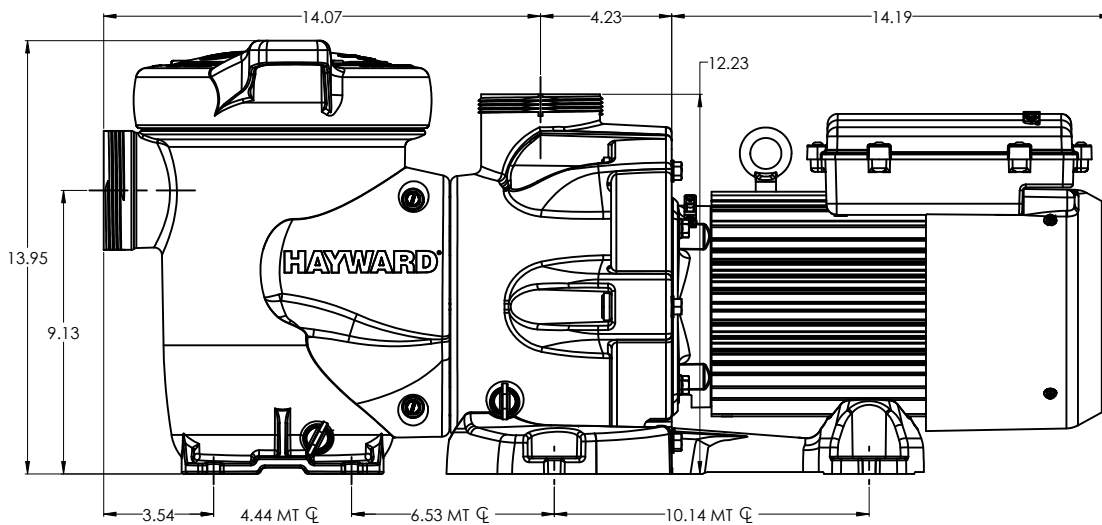
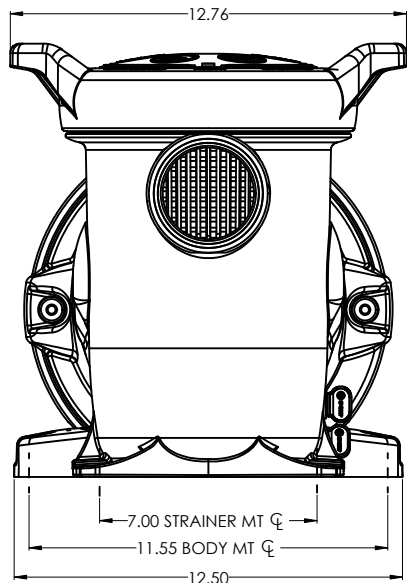
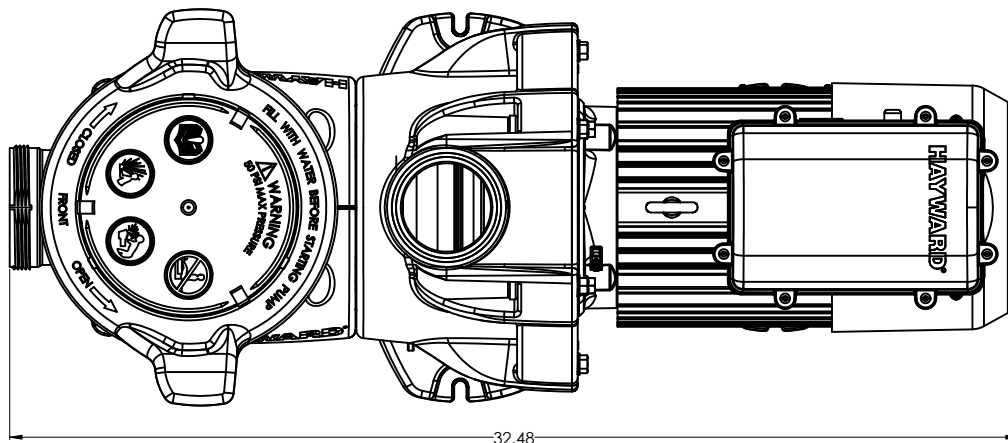
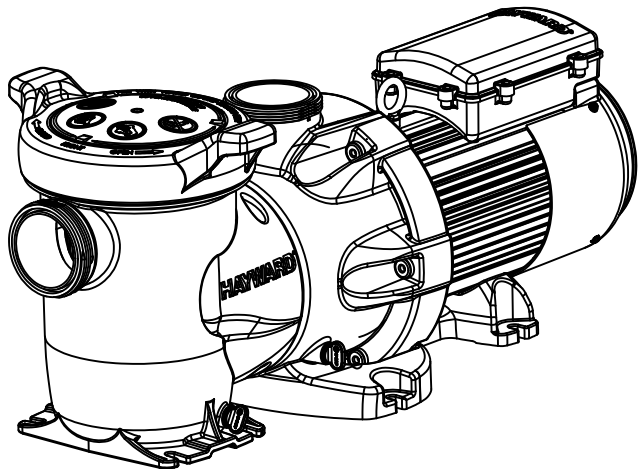


1	HCP3000UG	UNION GASKET, 2.5" - 3"	2
2	HCP3000UK	UNION SOCKET CONNECTOR, 2.5" - 3"	2
3	HCP3000UN	UNION NUT, 4.0-8 UN-2B	2
4	HCP3000H	STRAINER HOUSING, COMM PUMP	1
5	HCP3000C2	COVER, STRAINER, COMM PUMP	1
6	HCP3000L2	LOCK RING, COMM PUMP	1
7	SP4000S	O-RING, SIZE #2-444	1
8	HCP3000M	STRAINER BASKET, COMM PUMP	1
9	HCP3000A	PUMP HOUSING, COMM PUMP	1
10	OR338V50	O-RING, 338, VITON 50 DURO	4
11	SP2700ZSS	SCREW, DIFFUSER	4
12	SEE NOTE #11	DIFFUSER, COMM PUMP	1
13	SEE NOTE #11	IMPELLER, COMM PUMP	1
14	SP3200Z1	SCREW, IMPELLER, SS	1
15	SEE NOTE #11	WEAR RING, COMM PUMP	1
16	SP4000SAV	SHAFT SEAL ASSEMBLY	1
17	OR349V70	O-RING, 349, VITON 70 DURO	1
18	HCP3000E	SEAL PLATE, COMM PUMP	1
19	SP3200Z34	BOLT-3/8-16 X 1", SS, HEX FLG	4
20	SP2700Z1	SPACER, SEAL PLATE	6
21	SP3200Z3	BOLT, HOUSING, SS	6
22	SP3200Z2	INSERT, HOUSING	6
23	HCP3000G	MOTOR SUPPORT	1
24	HCP3000F	HOUSING BASE, COMM PUMP	1
25	SP1600ZSS	SCREW, 1 IN, LONGHEX HD	7
26	OR343V70	O-RING, 343, VITON 70 DURO	1
27	HCP3000Z3	BOLT, 5/8-11 X 1.75, SS	4
28	W5H19	WASHER, FLAT, 5/8", SS	4
29	SP4000P	DRAIN PLUG	2
30	SP1441Z1	O-RING #111	2
31	HCP3000N1-TAB	BRANDING PLATE, RIGHT, COMM PUMP	1
32	HCP3000N2-TAB	BRANDING PLATE, LEFT, COMM PUMP	1
33	SPIDLABEL2	ID LABEL	1
34	SP3200Z13	WARNING LABEL	1
35	HCP3000Z1	HEADER LABEL	1
36	SP1600ZB	UL PERMANENT POOL LABEL	1
37	SEE NOTE #13	RATED HP LABEL	1
38	SPBARLABEL1	BAR CODE LABEL (NOT SHOWN)	1
39	ISHCP3000	INSTRUCTION MANUAL (NOT SHOWN)	1
40	HCPCN3000	PUMP CARTON (NOT SHOWN)	1
41	HCPN3000INS	CARTON INSERT TOP (NOT SHOWN)	1
42	HCPN3000INS2	CARTON INSERT BOTTOM (NOT SHOWN)	1
ITEM	PART NUMBER	DESCRIPTION	QTY

(UNLESS OTHERWISE SPECIFIED) DIMENSIONS ARE IN INCHES (MILLIMETERS) FINISH: ALL STEEL PARTS SHALL BE GALVANNEAL UNLESS OTHERWISE SPECIFIED TOLERANCES: FRACTIONAL DECIMAL DIMENSIONS FRACTIONAL DECIMAL DIMENSIONS	NAME: [] DATE: [] DRAWN: [] CHECKED: [] ENG APPR: [] MFG APPR: []	HAYWARD ASSEMBLY, COMM PUMP SCALE: 1:1 SHEET 1 OF 3 Released (On Hold)
---	--	--



DATE: 11/20/14 DRAWN: [Signature] CHECKED: [Signature] ENG APPR: [Signature] MGR APPR: [Signature]		HAYWARD ASSEMBLY, COMM PUMP HCP3000-ASSEMBLY
MATERIAL: SEE PART DRAWINGS WEIGHT: 28.18 LBS. COLOR: SEE PART DRAWINGS	SCALE: 1:1 SHEET 2 OF 3	REVISIONS: 1 2 3 4 5 6 7 8 9 10 11 12 13 14 15 16 17 18 19 20 21 22 23 24 25 26 27 28 29 30 31 32 33 34 35 36 37 38 39 40 41 42 43 44 45 46 47 48 49 50 51 52 53 54 55 56 57 58 59 60 61 62 63 64 65 66 67 68 69 70 71 72 73 74 75 76 77 78 79 80 81 82 83 84 85 86 87 88 89 90 91 92 93 94 95 96 97 98 99 100



REVISIONS		DATE		DESCRIPTION
NO.	BY	DATE	BY	
1	ASSEMBLY	11/20/04	11/20/04	ASSEMBLY, COMM PUMP
2	ASSEMBLY	11/20/04	11/20/04	
3	ASSEMBLY	11/20/04	11/20/04	
4	ASSEMBLY	11/20/04	11/20/04	
5	ASSEMBLY	11/20/04	11/20/04	

MATERIAL:	SEE PART DRAWINGS	SCALE: 1:1		
WEIGHT:	28.16 LBS.	SHEET 3 OF 3		
CONC:	SEE PART DRAWINGS	Released (On Hold)		



ASSEMBLY, COMM PUMP

HCP3000-ASSEMBLY

-2