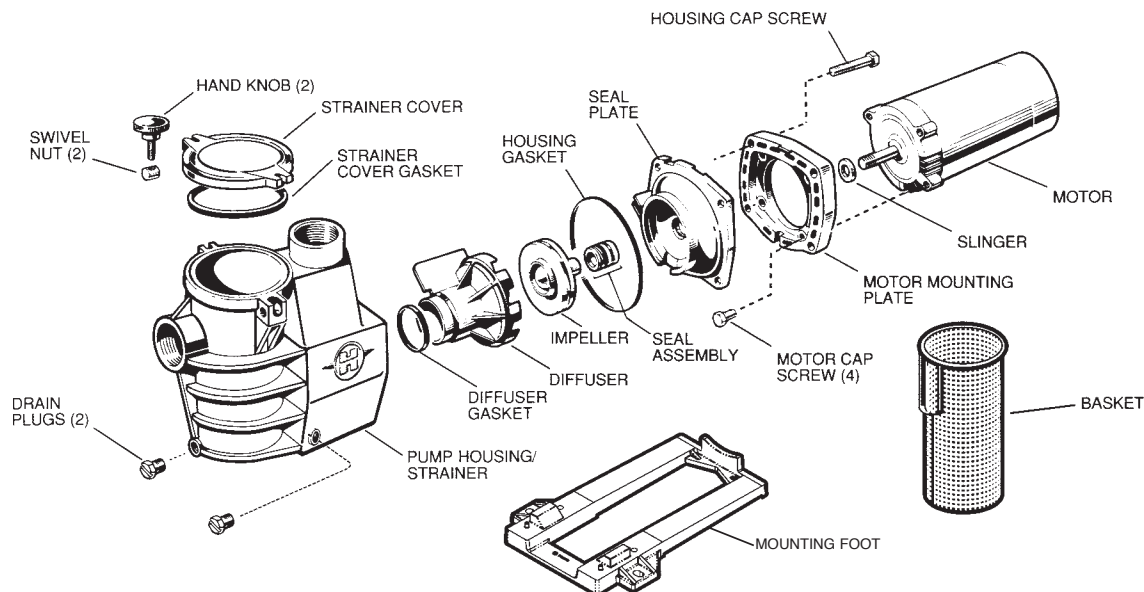


### Parts for Pump Models: SP2800X5, SP2805X7, SP2807X10, SP2810X15(2), SP2815X20



| Part No.   | Description  | Ctn. Qty. |
|------------|--|-----------|
| SPX2800AA* | Pump Housing/StRAINER accepts Swing Away Knobs, 1 1/2" x 1 1/2", with Drain Plugs (1995 and Prior)       | 1         |
| SPX1250LA  | Strainer Cover, clear with Gasket (Fits All Models)  | 10        |
| SPX1250LAB | Strainer Cover, with Gasket for Biguarnide Sanitizers <b>NOT</b> Pressure testable                       | 10        |
| SPX0125T   | Strainer Cover Gasket  | 20        |
| SPX1250RA  | Basket (1994 and Prior)  | 10        |
| SPX2800M   | Basket (1995)  | 10        |
| SPX1250Z4  | Hand Knob, Three Pointed (1994 and Prior)  | 50        |
| SPX1600PN  | Hand Knob Kit (1995, Includes Swivel Nut and Hand Knob)  | 100       |
| SPX1600T   | Housing Gasket   | 50        |
| SPX1600R   | Diffuser Gasket  | 25        |
| SPX1600TRA | Seal Assembly Kit (Includes Seal Assembly, Housing and Diffuser Gaskets)                                 | 10        |
| SPX1600V   | 1/4" Drain Plug (1991 and Prior)   | 50        |
| SPX1700FG  | 1/4" Drain Plug with Gasket  | 50        |
| SPX2600G1  | Mounting Foot with Adapter and Screws  | 10        |
| SPX1600Z52 | Mounting Foot Cap Screw (Set of 2 – 1995 and Prior, 2 sets required)                                     | 1         |
| SPX1600Z2  | Seal Assembly  | 10        |
| SPX1600F5  | Motor Mounting Plate   | 10        |
| SPX1600Z4  | Housing Cap Screw  | 25        |
| SPX0125Z44 | Motor Cap Screw (Set of 4)   | 20        |
| SPX0125F   | Slinger  | 50        |
| SPX2800B   | Diffuser, for all H.P.'s   | 15        |
| SPX2600E5  | Seal Plate   | 10        |
| SPXHKIT1   | H-KIT Quick Pump Repair for MaxFlo<br>(Includes SPX1600T, SPX0125T, SPX1600R, SPX1600Z2 and Jack's Lube) | 10        |

#### Housing Conversion Kit —To Swing Away Knob Style

|             |  |   |
|-------------|--|---|
| SPX2800AAC* | Complete Housing Conversion Kit. Includes housing, strainer cover and gasket, basket, round hand knobs (2), and swivel nuts (2). | 1 |
|-------------|--|---|

#### Parts listed below must be ordered for specific model & H.P.:

|            |   |    |
|------------|---|----|
| SPX2600C   | Impeller, for 1/2 H.P. Max Rated  | 20 |
| SPX2605C   | Impeller, for 3/4 H.P. Max Rated  | 20 |
| SPX2607C   | Impeller, for 1 H.P. Max Rated  | 10 |
| SPX2610C   | Impeller, for 1 1/2 H.P. Max Rated  | 20 |
| SPX2615C   | Impeller, for 2 H.P. Max Rated  | 25 |
| SPX1600Z1M | Motor, 1/2 H.P., Threaded Shaft (Single Phase, 60 Cycle 115V)               | 1  |
| SPX1605Z1M | Motor, 3/4 H.P., Threaded Shaft (Single Phase, 60 Cycle 115/230V)           | 1  |
| SPX1607Z1M | Motor, 1 H.P., Threaded Shaft (Single Phase, 60 Cycle 115/230V)             | 1  |
| SPX1610Z1M | Motor, 1 1/2 H.P., Threaded Shaft (Single Phase, 60 Cycle 115/230V)         | 1  |
| SPX1615Z1M | Motor, 2 H.P., Threaded Shaft (Single Phase, 60 Cycle 115/230V)             | 1  |
| SPX1610Z2M | Motor, 1 1/2 H.P., Threaded Shaft, Two-speed (Single Phase, 60 Cycle, 230V) | 1  |

**NOTE:** \*SP2800AAC is a complete substitute for SPX2800AA.