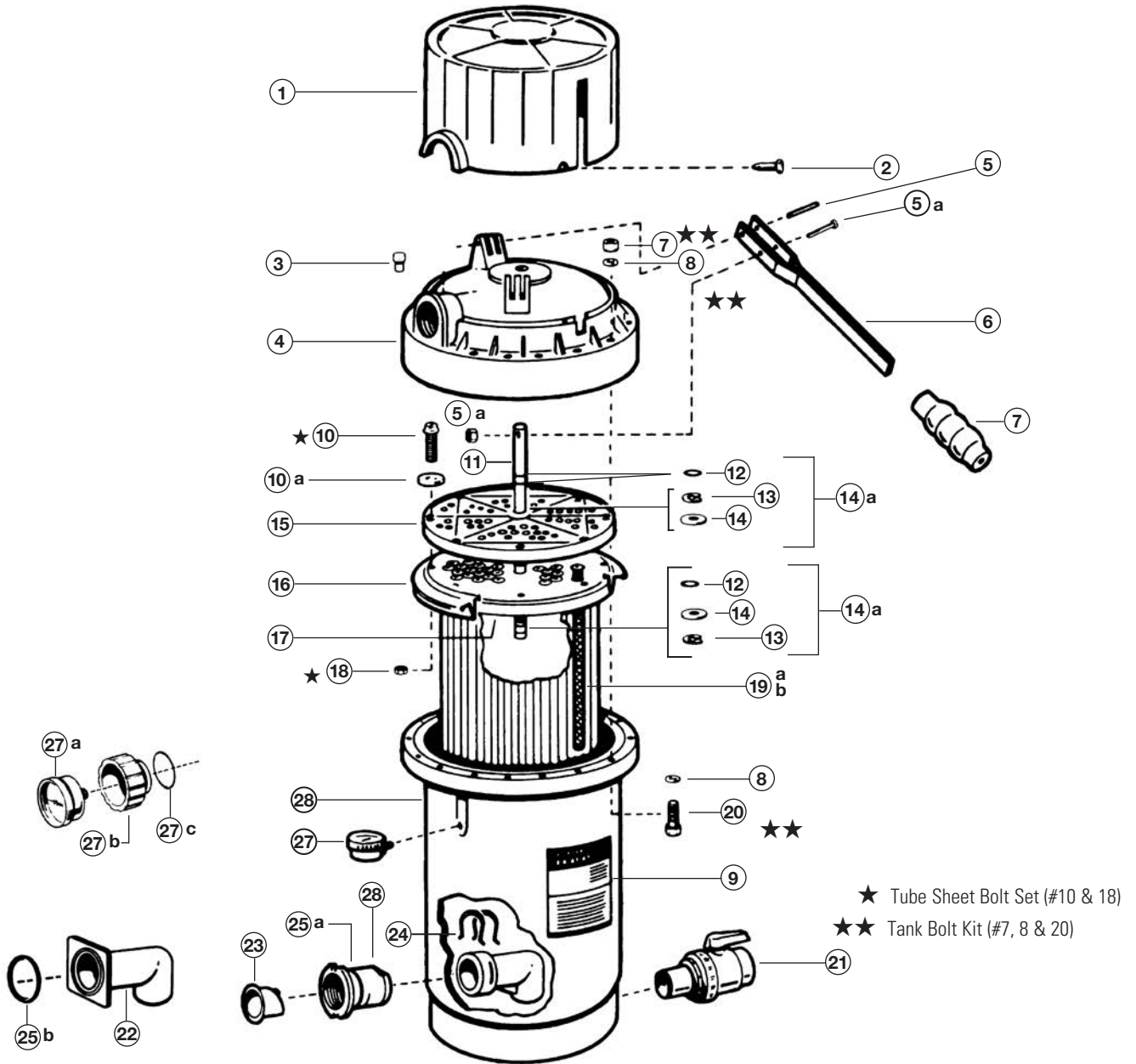


# Perflex®

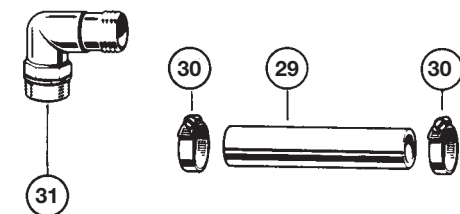
EC65, EC65A, EC75 AND EC75A EXTENDED-CYCLE D.E. FILTER REPLACEMENT PARTS

## Parts Diagram

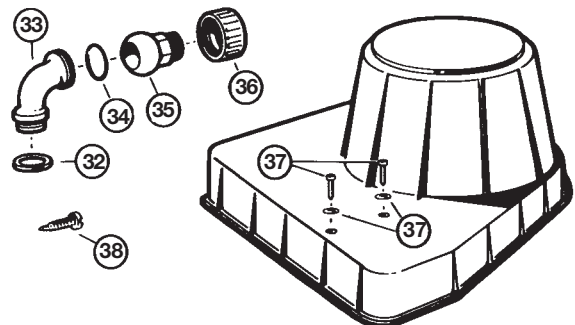
Filters



### SERIES EC65 – STANDARD



### SERIES EC65 SYSTEM III



### Parts Listing

Ref. No.	Part No.	Description	Ctn. Qty.	No. Req'd
1	ECX11206	Bump Mechanism Cover	1	1
2	ECX1019	Cover Screw (1981 and Prior) – Not Available	10	1
3	ECX1322A	Vent Valve (Threaded) with O-Ring	20	1
4	ECX11194AT	Filter Head with New Vent Valve	1	1
5	ECX100Z9	Roll Pin	50	2
5a	ECX4236A	Bump Screw Kit	1	1
6	ECX1040	Bump Handle Assembly (Includes Pin, Shoulder Screw, Nut)	5	1
—	ECX1037B	Bump Handle Grip	50	1
7	ECX1642A	Tank Bolt Set	20	15
8	ECX1077	¼" x 1 ½" O.D. Flat Washer	50	30
9	ECX1230	Decal – Operation	1	1
10	SPX1500N1	Tube Sheet Screw	50	16
10a	ECX1641125	Flat Washer (1989 and Prior)	25	16
11	ECX1110	Bump Shaft	25	1
12	ECX9611246PAK3	Shaft O-Ring Kit (Set of 3)	25	1
13	ECX1014PAK2	Retainer Clip (Set of 2)	25	1
14	ECX1011	Thrust Washer	25	2
14a	ECX1014A	Shaft Kit (Includes #12, 13 & 14)	25	1
15	ECX1104	Tube Sheet (Top)	10	1
16	ECX1105	Diaphragm Gasket	10	1
17	ECX1103	Tube Sheet (Bottom)	10	1
18	SPX1500Y1	Tube Sheet Nut	50	16
19a	ECX1031PAK5	EC65 Flex Tube 13 ¾" Long (Set of 5)	10	12
19b	ECX1032PAK10	EC75 Flex Tube 16 ¼" Long (Set of 10)	10	24
20	ECX1642215	¼" – 20 x 1 ¾" Hex. Head Bolt	25	15
21	SP0723	Ball-Type Drain Valve	24	1
22	ECX4220A	Elbow Assembly with Check Valve	10	1
23	ECX4077B1	Check Valve	20	1
24	ECX4212A	Retainer Clip (1989 and Prior)	10	2
25a	SPX1425Z6	O-Ring (1989 and Prior)	25	1
25b	SPX1500W	O-Ring (1990)	50	1
26	ECX4201CA	Inlet Fitting with ECX4077B1 Check Valve	10	1
27	ECX2712B1	Pressure Gauge	20	1
27a	ECX27091	Pressure Gauge, Back Mount	25	1
27b	ECX12866	Gauge/Port Adapter	10	1
27c	ECX1287	Adapter O-Ring	25	1
28	ECX11184AT	Filter Body with new Elbow Assembly	1	1
★	SPX1500NYA	Tube Sheet Bolt Set (Includes #10 & 18)	50	1
★★	ECX1642A	Tank Bolt Kit (EC65, 75 – Includes #7, 8 & 20)	20	15
—	ECX1251	Flex-Tube Nest (EC65) – Includes Items 10 thru 19	1	—
—	ECX125175	Flex-Tube Nest (EC75) – Includes Items 10 thru 19	1	—

#### Series EC65 – Standard

29	ECX27071	1 9/16" I.D. Clear Hose	2	1
30	ECX18028	Hose Clamp	25	2
31	SPX1105Z4	1 ½" Elbow Hose Adapter	50	2

#### Series EC65 System III

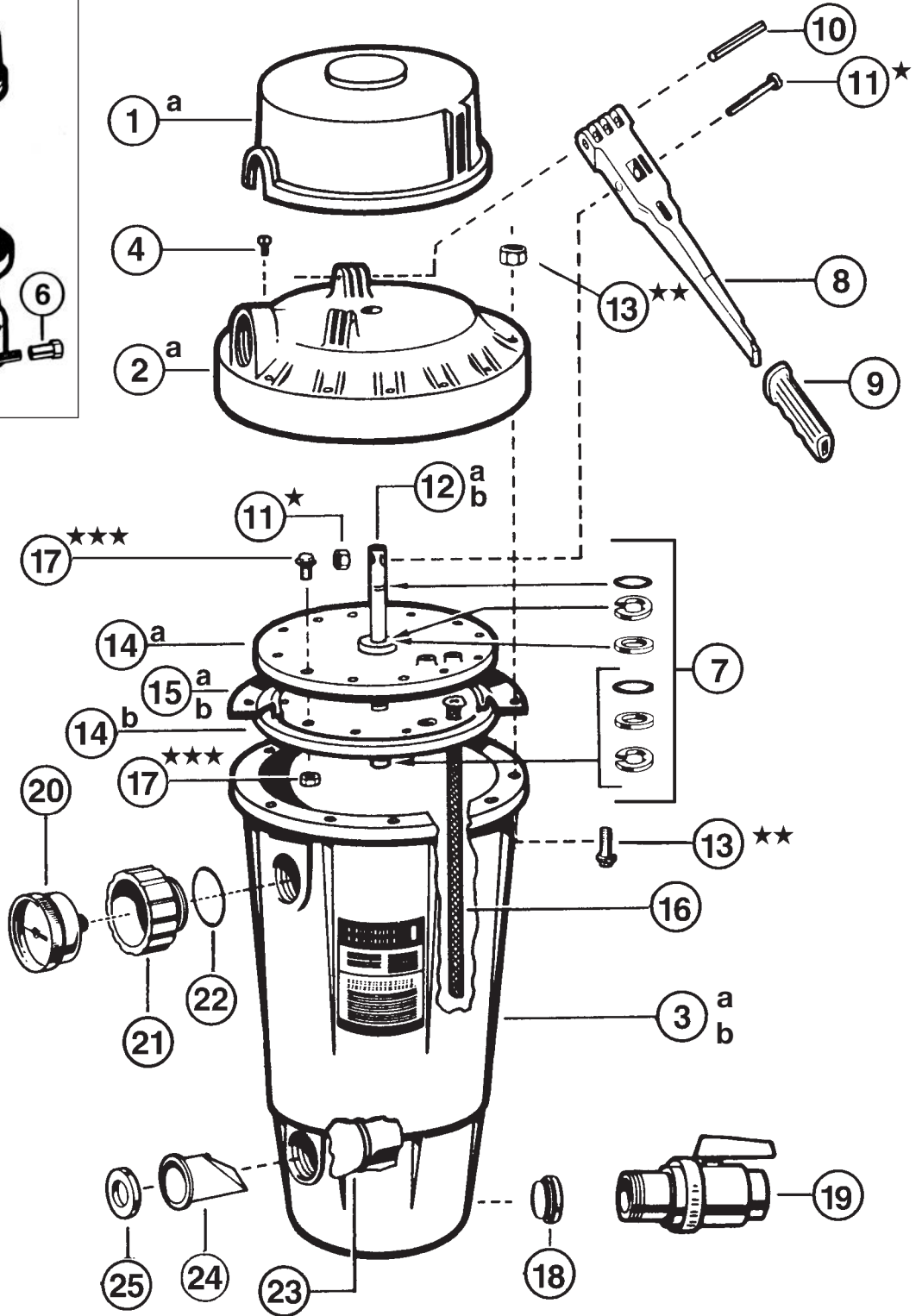
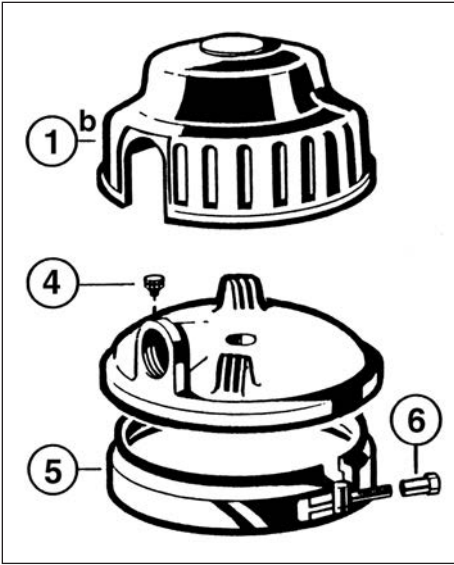
32	SPX1485C	Gasket	25	1
33	SPX1485B	Pump Discharge Elbow	10	1
34	SPX1425Z6	O-Ring	25	1
35	SPX1485A	Union Ball End	10	1
36	SPX1480C	Union Nut	10	1
37	ECX1161Z2	Pump Mounting Screw Set	10	2
38	SPX1600Z52	Anchor Screw (Pkg. of 2)	1	2

# Perflex®

## EC50A AND EC50AC EXTENDED-CYCLE D.E. FILTER REPLACEMENT PARTS

### Parts Diagram

Filters



★ Bump Handle Screw Kit

★★ Filter Head Screw Kit

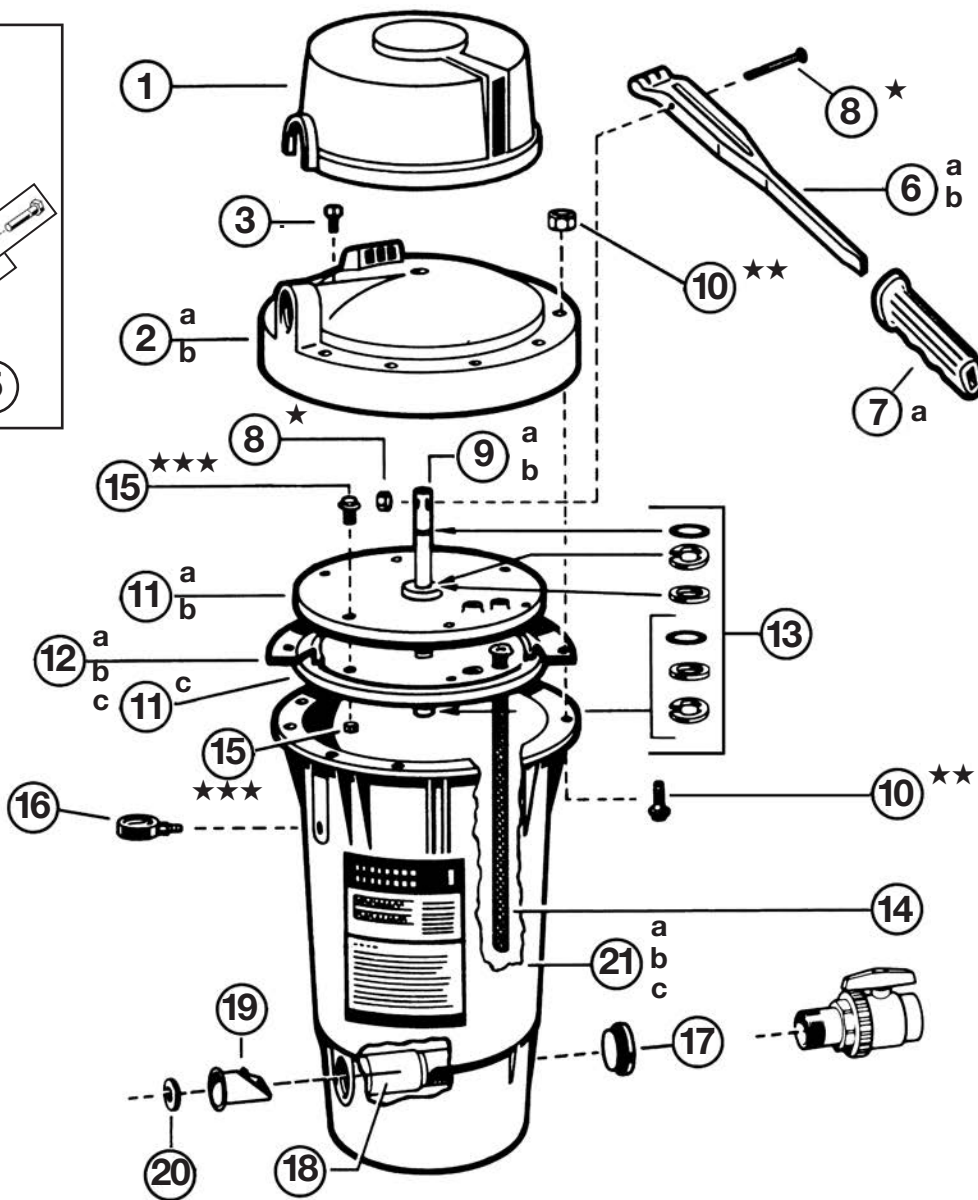
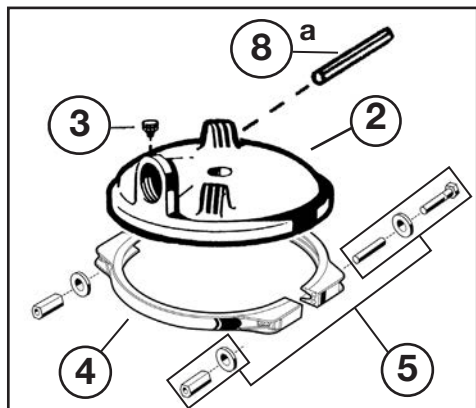
★★★ Tube Sheet Hex Screw Set

**Parts Listing (Parts unique to a specific series are designated)**

Ref. No.	Part No.	Description	Ctn. Qty.	No. Req'd
1a	ECX11156	Bump Mechanism Cover – EC50A	7	1
1b	ECX5000D	Bump Mechanism Cover – EC50AC	1	1
2a	ECX10334P	Filter Head with Vent Valve – EC50A	1	1
2b	ECX5000BP	Filter Head with Vent Valve – EC50AC	1	1
3a	ECX11344P	Filter Body with Flow Diffuser – EC50A	1	1
3b	ECX5000AP	Filter Body with Flow Diffuser – EC50AC	1	1
4	ECX1322A	Directional Vent Valve with O-Ring	20	1
5	ECX5000C	Clamp Assembly with Springs – EC50AC	1	1
6	ECX360JN	Nickel Plated Sleeve Nut, 5/16" – EC50AC	10	1
7	ECX1014A	Bump Shaft Kit	25	1
8	ECX1040	Bump Handle Assembly – Xyron	5	1
9	ECX1037B	Bump Handle Grip – Xyron	50	1
10	ECX100Z9	Pivot Pin (long)	50	1
11	ECX4236A	Bump Handle Screw Kit	1	1
12a	ECX1009	Bump Shaft, 1/2" – EC50A	25	1
12b	ECX5000F	Bump Shaft, 1/2" – EC50AC	25	1
13	ECX10271A	Filter Head Screw Set – EC50A only	20	12
14a	ECX1004A	Tube Sheet (Top)	10	1
14b	ECX1004	Tube Sheet (Bottom)	10	1
15a	ECX1003	Diaphragm Gasket – EC50A	10	1
15b	ECX5000G	Diaphragm Gasket – EC50AC	10	1
16	ECX1032PAK10	Flex Tube 16 1/4" Long (Set of 10)	10	72
17	SPX1500NYA	Tube Sheet Hex Screw Set	50	12
18	SP1022CBLK	Plug with Gasket	100	1
19	SP0723	Ball-Type Drain Valve with Nipple	24	1
20	ECX27091	Pressure Gauge – Back Mount	25	1
21	ECX12866	Gauge/Inspection Port Adapter	10	1
22	ECX1287	O-Ring for Gauge Adapter	25	1
23	ECX1256	Flow Diffuser with Check Valve	20	1
24	ECX4077B1	Check Valve	20	1
25	ECX1055	Flow Controller	10	1
—	ECX1036*	Flex-Tube Nest (EC50A)	2	1
—	ECX1037*	Flex-Tube Nest (EC50AC)	1	1

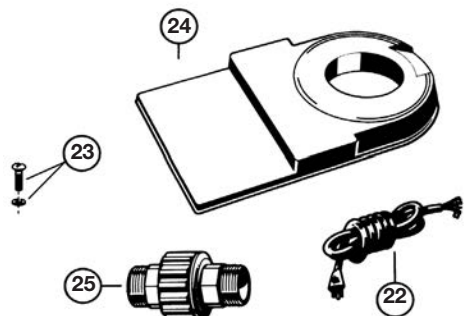
**NOTE:** \*Includes bump shaft, shaft kit, top and bottom tube sheet, diaphragm gasket and 12 tube sheet screw sets.

### Parts Diagram

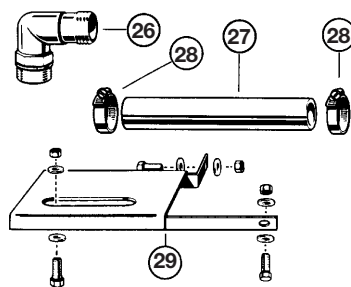


- ★ Bump Handle Screw Kit
- ★★ Filter Head Screw Set
- ★★★ Tube Sheet Hex Screw Set

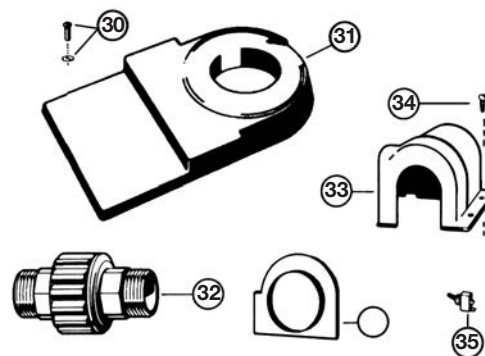
#### EC301500 SERIES SYSTEMS



#### SERIES EC40F KIT



#### SERIES EC4075 & EC40C75 FILTERS



### Parts Listing (Parts unique to a specific series are designated)

Ref. No.	Part No.	Description	Ctn. Qty.	No. Req'd
1	ECX10066	Bump Mechanism Cover	4	1
2a	ECX1131P	Filter Head with Vent Valve – EC30	1	1
2b	ECX10334P	Filter Head with Vent Valve – EC40	1	1
2c	ECX5000BP	Filter Head with Vent Valve – EC40AC	1	1
3	ECX1322A	Vent Valve (Threaded) with O-Ring	20	1
4	ECX4000C	Clamp Assembly with Hardware (2 Bolts, 2 Nuts, 2 Spacers, 4 Washers)	1	1
5	ECX4000CHK	Hardware Kit for Clamp Assembly (2 Bolts, 1 Nut, 1 Spacer, 2 Washers)	15	1
6a	ECX1037A	Bump Handle Grip – EC30	10	1
6b	ECX1040	Bump Handle Assembly – EC40/EC40AC	5	1
7a	ECX1037B	Bump Handle Grip – EC30/40	50	1
8	ECX4236A	Bump Handle Screw Kit	1	1
8a	ECX100Z9	Pivot Pin (Long) – EC40AC only	50	1
9a	ECX1009	Bump Shaft, 1/2" – EC30/EC40	25	1
9b	ECX5000F	Bump Shaft – EC40AC	25	1
10	ECX10271A	Filter Head Screw Set – EC30/EC40	20	10/12
11a	ECX1038	Tube Sheet (Bottom) – EC30 (top) – ECX1038A	10	2
11b	ECX1004A	Tube Sheet (Top) – EC40/EC40AC	10	2
11c	ECX1004	Tube Sheet (Bottom) – EC40/EC40AC	10	2
12a	ECX1039	Diaphragm Gasket – EC30	10	1
12b	ECX1003	Diaphragm Gasket – EC40	10	1
12c	ECX5000G	Diaphragm Gasket – EC40AC	10	1
13	ECX1014A	Bump Shaft Kit	25	1
14	ECX1031PAK5	Flex Tube 13 3/8" Long (Set of 5) – 54 for EC30, 72 for EC40	10	11/15
15	SPX1500NYA	Tube Sheet Hex Screw Set – EC30/EC40	50	6/12
16	ECX270861	Pressure Gauge	50	1
17	SP1022C	Plug with Gasket	100	1
—	SP0723	Ball-Type Drain Valve with Nipple	24	1
18	ECX1256	Flow Diffuser with Check Valve	20	1
19	ECX4077B1	Check Valve	20	1
20	ECX1055	Flow Controller	10	1
21a	ECX1132P	Filter Body with Flow Diffuser – EC30	—	1
21b	ECX10344P	Filter Body with Flow Diffuser – EC40	1	1
21c	ECX4034	Filter Body with Flow Diffuser – EC40AC	1	1
—	ECX1133	Flex Tube Nest (Includes 9, 11-15) – EC30	2	2
—	ECX1035	Flex Tube Nest (Includes 9, 11-15) – EC40	2	2
—	ECX4035	Flex Tube Nest (Includes 9, 11-15) – EC40AC	2	2

#### EC301500 Series Systems

22	SPX1250WA	6 Ft. Cord Set – No. 14/3 AWG	10	1
23	ECX1108A	5/16" x 3/4" Mounting Screws and 5/16" Washers (2) Kit	10	1
24	EC1161PAK	Platform Base with Screws	1	1
25	SP1480BLK	1 1/2" Male Union	50	1

#### Series EC40F Kit

26	SPX1105Z4	1 1/2" Elbow Hose Adapter	50	2
27	ECX27071	1 9/16" I.D. Clear Hose	2	1
28	ECX18028	Hose Clamp	25	2
29	ECX10992	Pump Mounting Base	3	1

#### Series EC4075 and EC4075UL Filters

30	ECX1108A	5/16" x 3/4" Mounting Screws (2) and 5/16" Washers (2) Kit	10	1
31	EC1161PAK	Platform Base with Screws	—	1
32	SP1480BLK	1 1/2" Male Union	—	1
33	ECX1121	Rainshield Cover Assembly	—	1
34	SPX1411Z3	Pan Head Hilo Screw	25	4
35	ECX1325	Switch Assembly	10	1
—	SPX1250WA	6 ft. Cord Set – No. 14/3 AWG	10	1