

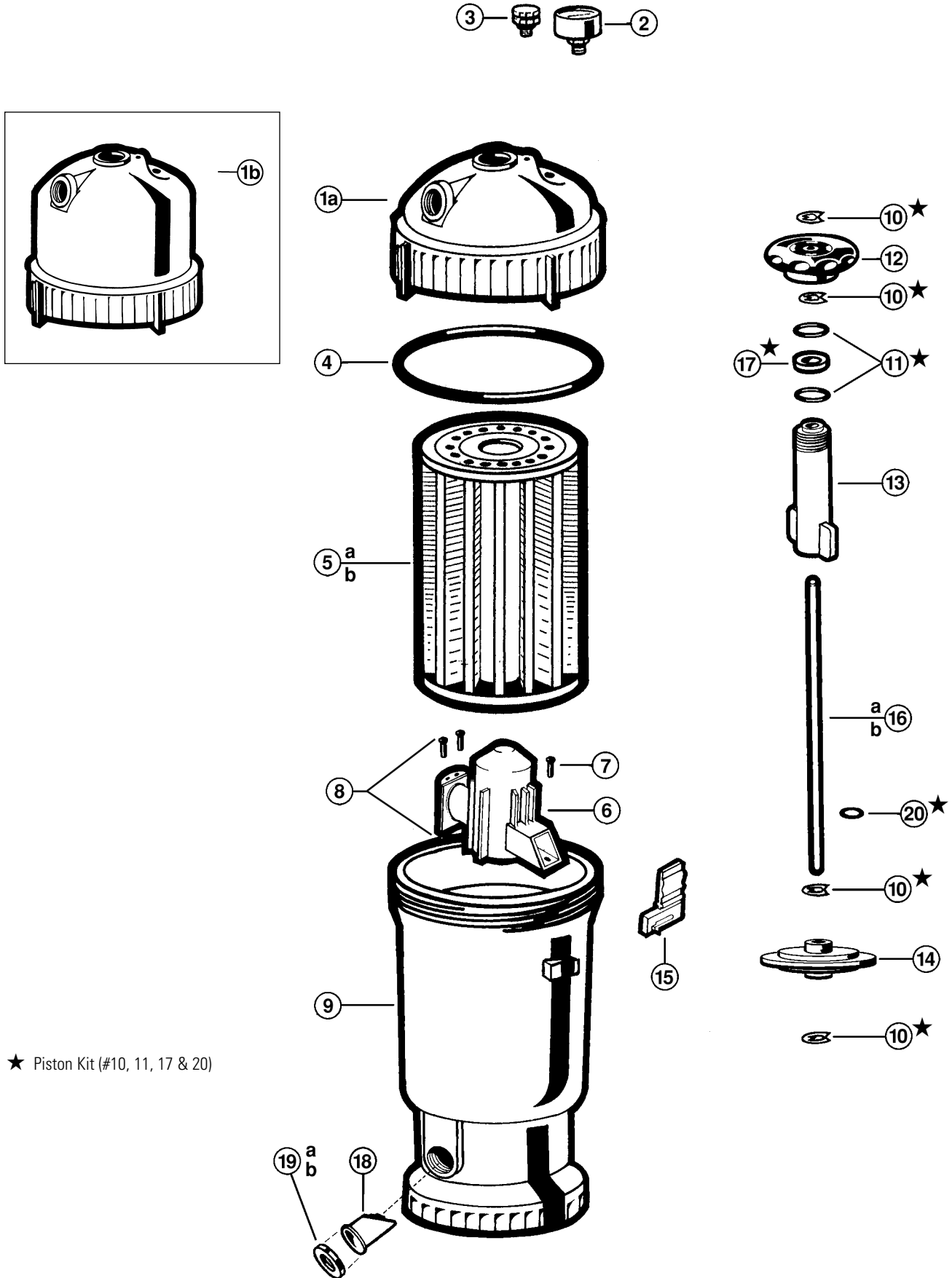


# ReGenX™

GRID ELEMENT D.E. FILTER REPLACEMENT PARTS

## Parts Diagram

Filters



★ Piston Kit (#10, 11, 17 & 20)

### Parts Listing

Ref. No.	Part No.	Description	Ctn. Qty.	No. Req'd
1a	RGX45BC	Filter Head with Locking Ring (RG450)	1	1
1b	RGX70BC	Filter Head with Locking Ring (RG700, SC700)	1	1
2	ECX27091	Pressure Gauge	10	1
3	ECX1322A	Directional Vent Valve with O-Ring	25	1
4	RGX45G	Filter Head O-Ring	2	1
5a	RGX55GE	Grid Element (RG450)	1	1
5b	RGX70GE	Grid Element (RG700, SC700)	1	1
6	RGX45D*	Diffuser	10	1
7	RGX45Z1*	Diffuser Screws	25	3
8	RGX45DA	Diffuser and Diffuser Screws (3) (Includes #6 & 7)	10	1
9	RGX45AA	Filter Body	1	1
10	RGX45R1**	Retainer Ring	50	4
11	SPX1082Z410**	Piston O-Ring ( <i>Pkg. of 10</i> )	10	2
12	RGX45K	Piston Knob	10	1
13	RGX45J	Seal Locator	10	1
14	RGX55PA	Piston Mechanism	10	1
15	CX400D	Locking Ring Latch	25	1
16a	RGX45R	Piston Rod (RG450)	2	1
16b	RGX70R	Piston Rod (RG700)	1	1
17	RGX45F**	Polyethylene Washer	50	1
18	ECX4077B1	Check Valve	10	1
19a	ECX1055	Flow Controller (RG450, RG550)	10	1
19b	ECX1056	Flow Controller (RG700, SC700)	10	1
20	SPX3000Z26**	Washer ( <i>Set of 6</i> )	50	1
★	RGX45RA	Piston Kit (#10, 11, 17 & 20)	10	1

**NOTES:** \*Limited Quantity Available – Replace with RGX45DA

\*\*Limited Quantity Available – Replace with RGX45RA