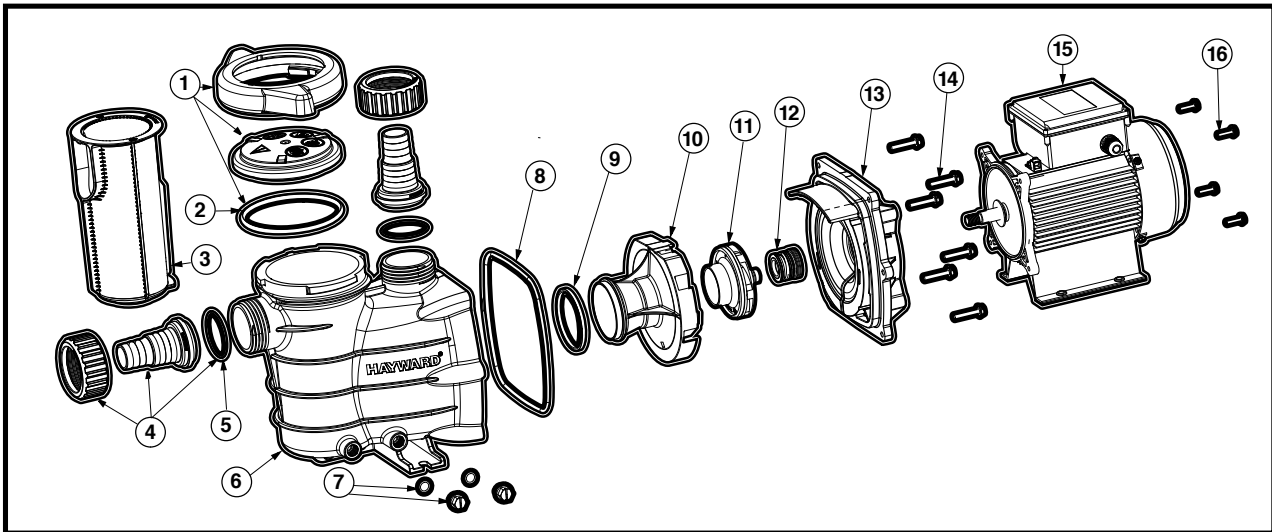
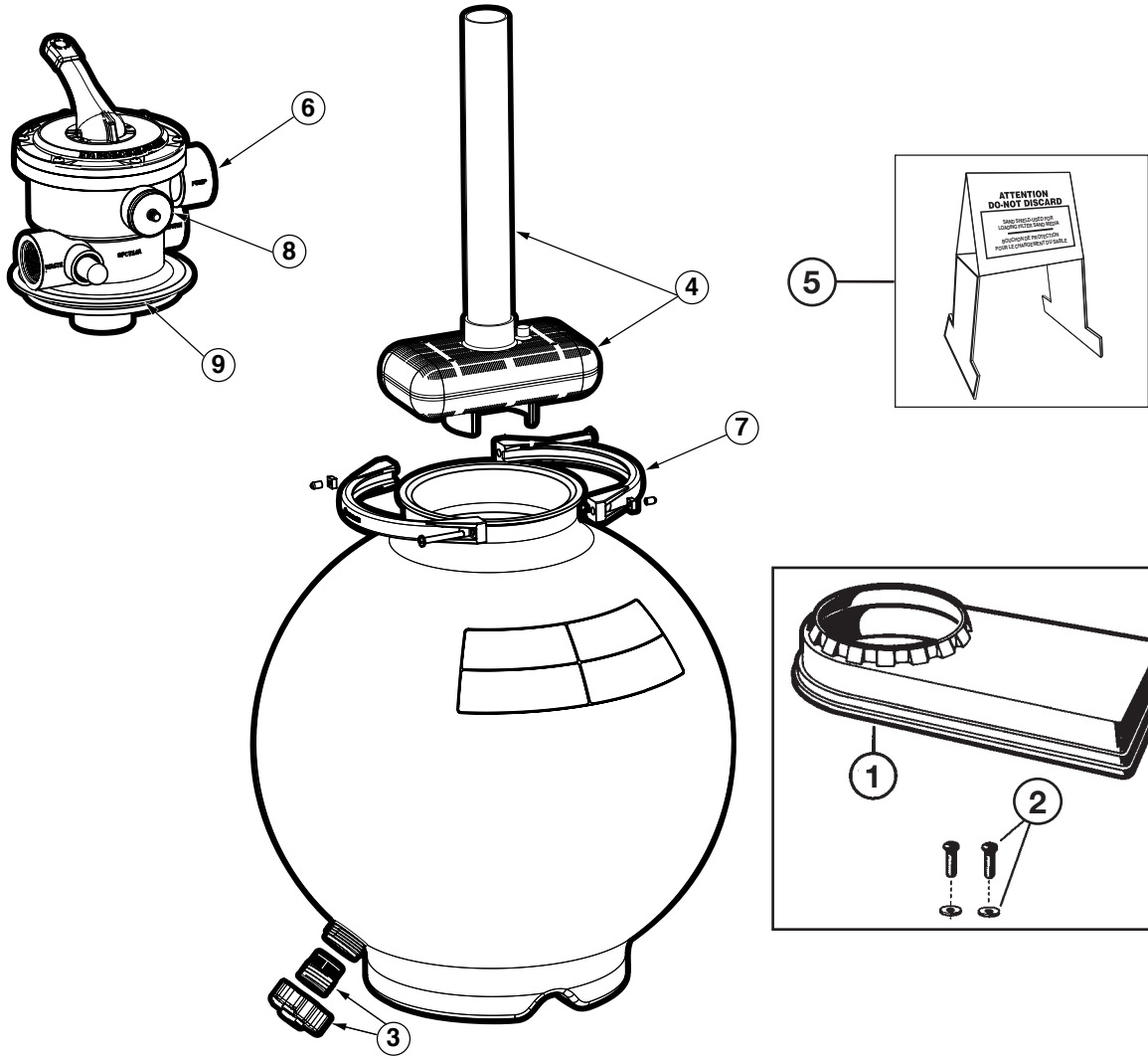


VL210 Series

VL210 SAND FILTER SERIES REPLACEMENT PARTS

Parts Diagram



VL210 Series

VL210 SAND FILTER SERIES REPLACEMENT PARTS

Parts Listing

Ref. No.	Part No.	Description	Ctn. Qty.
Filter			
1	SX180K	System Base	1
2	ECX1108A	Pump Mounting Screw Kit	10
3	SX180LA	Drain Cap and Gasket	25
4	VLX210DA	Underdrain Assembly – VL210T1285S	1
5	SX202S	Sand Shield	25
6	SP0714T	MultiPort Valve	1
7	GMX600NM	Clamp Assembly	20
8	ECX271261	Pressure Gauge	20
9	GMX600F	Valve O-Ring	100
Pump			
1	SPX8100LDS	Strainer Cover Assembly	20
2	SPX8100S	Strainer Cover O-Ring	120
3	SPX8100M	Strainer Basket	10
4	SPX8100UNBPAK	Male Adapter Kit	20
5	SPX8100UNO	Male Adapter O-Ring	100
6	SPX8100AA	Pump Housing	4
7	SPX1700FG	Drain Plug Assembly	50
8	GMX600F	Seal Plate O-Ring	100
9	SPX8100R	Diffuser Gasket	100
10	SPX8100B	Diffuser	12
11	VLX1280TB	Impeller	15
12	SPX1600Z2	Shaft Seal Assembly	10
13	SPX8100E	Seal Plate	20
14	6060XZ1	Housing Screw Kit	1
15	VLX1285Z1C	Motor	1
16	SPX8100Z1	Motor Mounting Screw	50
—	VLX1280WAT	6' Cord Set	40
—	EPX1280WA1	3' Cord Set Twist Lock	40