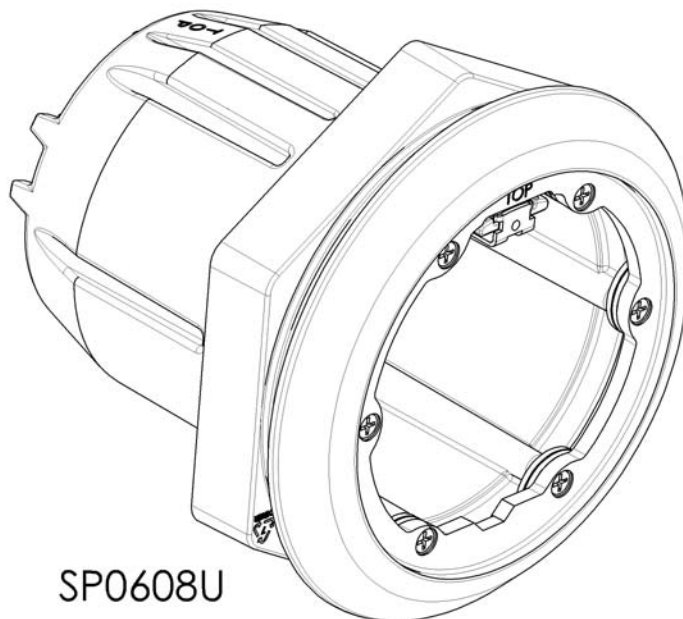


## OWNER'S MANUAL

### INSTALLATION & PARTS

FOR MODEL NUMBERS:  
 SP0608U - FOR VINYL OR  
 FIBERGLASS POOLS & SPAS



## Jiffy Niche™ Series Niches

Unlike metallic niches, Jiffy Niche™ niches are injection-molded of PVC for superior performance, non-corrosive durability, and plumbing versatility – plus the lowest installed cost.

The ability to accept PVC over expensive metal conduit enables Jiffy Niche™ to offer true bottom line savings in materials, as well as time to install.

Jiffy Niche™ currently comes in 1 model for vinyl/fiberglass pools and spas. When paired with Hayward Astrolite™ or Astrolite II™ light fixture, you have the best quality and value in a lighting system available anywhere. To facilitate installation, all Jiffy Niche™ fixture housings are packed with U.L. listed conduit fittings (elbow and reducer).


**SAVE THIS INSTRUCTION MANUAL**


**USE ONLY HAYWARD GENUINE REPLACEMENT PARTS**


**IMPORTANT SAFETY INSTRUCTIONS**

Before installing or servicing this electrical equipment, turn power supply OFF.

Basic safety precautions should always be followed, including the following: Failure to follow instructions may result in injury.


 This is the safety-alert symbol. When you see this symbol in this manual, look for one of the following signal words. And, be alert to the potential for personal injury.

 **WARNING** warns about hazards that **could** cause serious personal injury, death or major property damage and, if ignored, presents a potential hazard.


 **CAUTION** warns about hazards that **will** or **can** cause minor or moderate personal injury and/or property damage and, if ignored, presents a potential hazard. It can also make consumers aware of actions that are unpredictable and unsafe.

The NOTICE label indicates special instructions that are important but not related to hazards.



 **WARNING – Read and follow all instructions in this owner’s manual and on the equipment. Failure to follow instructions can cause severe injury and/or death.**


 **WARNING** – This product should be installed and serviced only by a qualified professional.

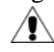
 **CAUTION** – All electrical wiring **MUST** be in conformance with all applicable local codes, regulations, and the National Electric Code (NEC).


**Use of non-Hayward replacement parts voids warranty.**


**ATTENTION INSTALLER – THIS MANUAL CONTAINS IMPORTANT INFORMATION ABOUT THE INSTALLATION, OPERATION, AND SAFE USE OF THIS NICHE, THAT MUST BE FURNISHED TO THE END USER OF THIS PRODUCT. FAILURE TO READ AND FOLLOW ALL INSTRUCTIONS COULD RESULT IN SERIOUS INJURY.**



 **WARNING – Risk of Electric Shock.** Hazardous voltage can shock, burn, and cause severe injury and/or death. All electrical wiring **MUST** be in conformance with all applicable local codes, regulations, and the National Electric Code (NEC).

 **WARNING** – To reduce the risk of electric shock replace damaged wiring immediately. Locate conduit to prevent abuse from lawn mowers, hedge trimmers and other equipment.

 **WARNING** – It is recommended to install a Ground Fault Circuit Interrupter (GFCI) in the circuit, however, all electrical wiring **MUST** be in conformance with all applicable local codes, regulations, and the National Electric Code (NEC).

 **WARNING** – All electrical wiring **MUST** be in conformance with all applicable local codes, regulations, and the National Electric Code (NEC). Ground and bond ALL niches before connecting lighting to electrical power supply. Failure to ground and bond niches can cause serious or fatal electrical shock hazard. Do NOT ground to a gas supply line.

**USE ONLY HAYWARD GENUINE REPLACEMENT PARTS**

**GENERAL INFORMATION:****Introduction:**

This manual contains information for the proper installation and operation of the Hayward Jiffy Niche™ series niches. A qualified professional should do installation of the Hayward Jiffy Niche™. Failure to install according to the instructions will void the warranty.

**Features:**

1. Attractive, injection molded Duralon™ face rim assembly, for corrosion-free performance.
2. Fast and simple installation. Minimal tools required.
3. Specially designed wire sealing system, for sealing pool water from conduit pipe.

**Important Information Regarding All Models:**

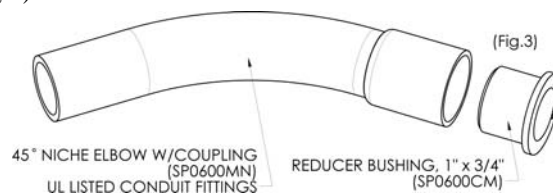
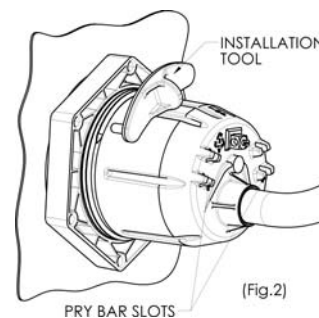
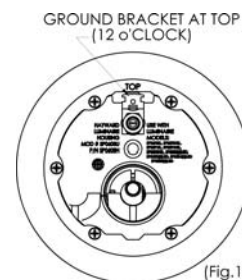
1. Jiffy Niche™ underwater lighting fixture housings (Niche) are Underwriters Laboratories (UL) Listed under File E 39338-Category WBDT. These niches are New York City (NYC) Bureau of Electrical Control approved for use with low voltage (12 volt) lighting fixtures. U.L. Listed for fresh water, which includes salt pools with a maximum of 3700ppm salt content, and complies with 1999 National Electrical Code (NEC).
2. Jiffy Niche™ model SP0608U underwater fixture housings (Niche) are UL Listed only for use with Hayward Submersible Light Fixtures: SP0590SL, SP0590HSL, SP0591SL, SP0591HSL, SP0592HSL, SP0532(S)LED, SP0533(S)LED, SP0534(S)LED, SP0535(S)LED.

**INSTALLATION INSTRUCTIONS:****GENERAL INSTRUCTIONS COMMON FOR ALL MODELS:**

1. The National Electrical Code (NEC) requires that the top of the light lens be at least 18" below the water level. Be sure to position the niche so that it is in compliance with this requirement. Some installers position the niche 24" below the anticipated water level to avoid any inspection authority issues with this requirement.

**SP0608U****A. For Vinyl Lined Metal Wall, Vinyl Lined Fiberglass Panel, Or Non-Lined Fiberglass Pools:**

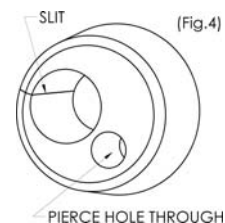
1. If not pre-punched by the factory, drill & cut out the wall panel sections as per dimensions below:
  - a. CIRCULAR PANEL CUTOUT: 6" minimum to 6-1/8" maximum diameter hole.
2. After unpacking the niche carton, remove the large lock ring on the backside of the housing assembly.
3. For non-lined pools only, install the flange gasket to the backside of the flange on the housing assembly by peeling off the paper exposing the adhesive, and pressing it firmly onto the flange.
4. If desired, caulk the backside of the housing flange (lined pool) or housing flange gasket (non-lined pool) with silicone or other suitable sealing compound.
5. Insert the housing assembly through the wall panel section from the interior of the pool.
6. Position the grounding bracket towards the TOP (12 O'clock). (Fig.1)
7. Install the large lock ring from the exterior of the pool, with the six (6) holes facing away from the pool wall (outward).
8. Snug the lock ring by hand while being careful to keep the word "TOP" on the outside of the housing towards the TOP (12 O'clock).
9. Insert the posts of the installation tool (Hayward P/N SP0608UT) into any two (2) adjacent holes on the lock ring. (Fig.2)
10. Insert a screwdriver (or similar tool) into either of the two (2) pry-bar slots. This will be used to prevent the housing assembly from rotating during final tightening. (Fig.2)
11. While firmly holding the screwdriver in the previous step, use a small rubber mallet to strike the tab of the installation tool, rotating the lock ring in the clockwise direction to tighten.
12. Install conduit fittings as needed. All Jiffy Niche™ niches are provided with two (2) UL Listed Conduit Fittings. A 1" trade size, 45° sweep elbow is provided for the purpose of directing the conduit pipe towards the SP0680/SP0681 Listed Junction Box location. A 1" x 3/4" reducer



**USE ONLY HAYWARD GENUINE REPLACEMENT PARTS**

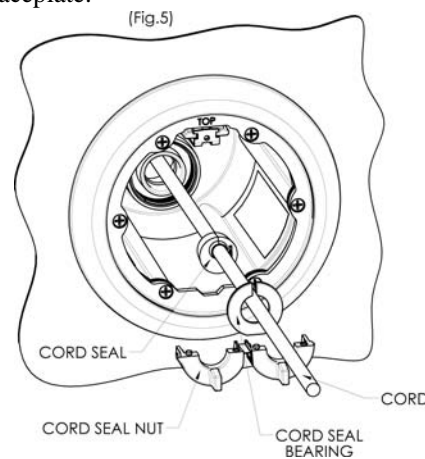
bushing is provided to permit the use of 3/4" conduit pipe. These conduit fittings must be cemented to the fixture housing (Niche), field supplied conduit pipe, and to other conduit fittings using approved PVC primer and cement. (Fig.3)

13. The Jiffy Niche™ housing is equipped with a combination bonding/grounding connector. The outside connection is the bonding connector as required by Article 680-22 of the NEC. Bond the Jiffy Niche™ to the pool structure. Using a solid copper conductor size #8 AWG or larger, connect the bonding connector to all of the metal parts of the swimming pool, spa, or hot tub; and to all electrical equipment, metal piping (except gas piping), and conduit within 5 ft. (1.5m) of the inside walls of the swimming pool, spa, or hot tub. Bonding connects all metal parts within and around the swimming pool, spa, or hot tub with a continuous wire. Bonding reduces the risk of a current passing between bonded metal objects, which could potentially cause electrical shock if grounded or shorted. Reference the NEC codes for all wiring standards including, but not limited to, grounding, bonding, and general wiring procedures.
14. The inside connection is the grounding connector as required by Article 680-20(b) of the NEC. The NEC requires that where a non-metallic conduit is used, a #8 AWG insulated copper conductor be installed in this conduit. Pull this conductor into the niche housing at least 6-8 inches.
15. Insert the ground conductor through the small hole in the cord seal. To do this, you must first pierce the small hole all the way through the cord seal with a small Philips screwdriver, or similar tool (Fig.4). From the conduit, the ground conductor must be fed through the cord seal from the small to the large end of the taper.
16. Connect the ground conductor to the niche grounding connector. The connector and wire termination must be encapsulated in 3M Inc. Scotch Cast Wet Niche Potting Compound No. 2135 (UL File E130394) or equivalent, to protect the connection from the possible deterioration effects of pool water.
17. For vinyl liner pools only. Before proceeding to the next step:
  - a. Backfill pool walls as needed.
  - b. Install the liner per the manufacturers instructions.
  - c. Smooth out any liner wrinkles on the front of the niche flange gasket.
18. Align the face ring assembly to the front of the housing assembly, with the word "TOP" on the front of the face ring towards the TOP (12 O'clock). For vinyl-lined pools, the housing assembly should be tightly covered by the liner, and not visible. **DO NOT CUT THE LINER AT THIS POINT.** Instead, align the face ring assembly to the protrusion in the liner formed from the niche housing.
19. Use a #2 Philips screwdriver to secure the face ring assembly tightly to the housing assembly with the six (6) #10 x 1" Philips flat head, type B tapping screws provided.
20. For vinyl liner pools, with a sharp blade, cut out the liner along the inside edge of the faceplate.
21. Install the light fixture per the light fixture instructions.

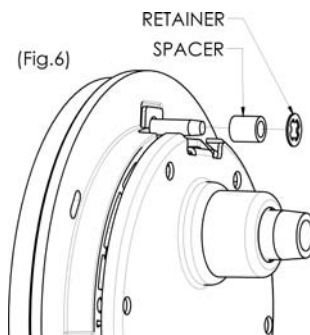


### **CORD SEALING:**

22. With the light fixture electrical cord, and all electrical wiring in place, slip the electrical cord through the slit, and into the large hole in the cord seal (Fig.4). From the conduit, the cord must enter the cord seal on the small end of the taper, and exit on the large end of the taper (Fig.5).
23. Holding the light fixture electrical cord (and grounding conductor if applicable) firmly in one hand, slide the cord seal toward the back of the niche housing, and into the tapered hole. Appropriate cord lubrication may be required to do this.
24. Slip the cord seal bearing over the light fixture electrical cord (and grounding conductor if applicable) by flexing it over the cord at the split.
25. Install the cord seal nut by folding and snapping it around the light fixture electrical cord (and grounding conductor if applicable).
26. Push the cord seal bearing into the cord seal nut until it snaps into place.
27. Slide the cord seal nut on the wires toward the back of the niche housing, and thread it into the niche housing threads.
28. Tighten snug (hand tight) as needed.



**⚠ CAUTION** - When installing any one of the Hayward approved light fixtures into the SP0608U niche, remove all spacers from the back of the light fixture mounting screw by removing the retainer, removing the spacer(s), and re-installing the retainer, as shown in Fig.6. This **ONLY** applies when inserting a light fixture into this specific niche model. For light fixtures being installed into other niche models, please follow the light fixture instructions.



**USE ONLY HAYWARD GENUINE REPLACEMENT PARTS**





**USE ONLY HAYWARD GENUINE REPLACEMENT PARTS**

# HAYWARD® LIMITED WARRANTY

This niche was inspected before shipment from our plant. To original purchasers of this niche, Hayward Pool Products, 620 Division Street, Elizabeth, New Jersey, warrants its products free from defects in materials and workmanship for a period of **ONE (1)** year from the date of purchase.

Parts which fail or become defective during the warranty period, except as a result of freezing; negligence; improper installation, use, or care, shall be repaired or replaced, at our option, without charge, within 90 days of the receipt of defective product, barring unforeseen delays.

To obtain warranty replacements or repair, defective components or parts should be returned, transportation paid, to the place of purchase, or to the nearest authorized Hayward service center. For further Hayward dealer or service center information, contact Hayward customer service department. No returns may be made directly to the factory without the express written authorization of Hayward Pool Products.

To original purchasers of this niche, Hayward Pool Products warrants its niche housing to be free from defects in materials and workmanship for a period of **ONE (1)** year from the date of purchase.

Niche housing which become defective during the warranty period, except as a result of freezing; negligence; improper installation, use, or care, shall be repaired, at our option, without charge.

All other conditions and terms of the standard warranty apply.

Hayward shall not be responsible for cartage, removal and/or reinstallation labor, or any other such costs incurred in obtaining warranty replacements.

The Hayward Pool Products warranty does not apply to components manufactured by others. For such products, the warranty established by the respective manufacturer will apply.

Some states do not allow a limitation on how long an implied warranty lasts, or the exclusion or limitation of incidental or consequential damages, so the above limitation or exclusion may not apply to you.

This warranty gives you specific legal rights, and you may also have other rights, which vary from state to state.

Hayward Pool Products  
620 Division Street  
Elizabeth, NJ 07207

\*Supersedes all previous publications.

▲ Retain this Warranty Certificate (upper portion) in a safe and convenient location for your records.

▼ DETACH HERE: Fill out bottom portion completely and mail within 10 days of purchase/installation, or REGISTER ONLINE AT [WWW.HAYWARDPOOL.COM](http://WWW.HAYWARDPOOL.COM).



## Product Name

## Warranty Card Registration

Register your warranty on-line at [www.haywardnet.com](http://www.haywardnet.com)

Please print clearly.

First Name \_\_\_\_\_ Last Name \_\_\_\_\_

Street Address \_\_\_\_\_

City \_\_\_\_\_ State \_\_\_\_\_ Zip \_\_\_\_\_

Phone Number \_\_\_\_\_ Purchase Date \_\_\_\_\_

E-mail address \_\_\_\_\_

Serial Number (10-17 Digit Number) 

--	--	--	--	--	--	--	--	--	--	--	--	--	--	--	--	--	--	--	--

Model Number \_\_\_\_\_

Pool Capacity \_\_\_\_\_ (U.S. Gallons)

Please include me on all e-mail communications regarding Hayward equipment or promotions.

Years pool has been in service	
<input type="checkbox"/> 1 year or less	<input type="checkbox"/> 2-3 <input type="checkbox"/> 4-5 <input type="checkbox"/> 6-10 <input type="checkbox"/> 11-15 <input type="checkbox"/> >16
Purchased from _____	
<input type="checkbox"/> Builder	<input type="checkbox"/> Retailer <input type="checkbox"/> Pool Maintenance <input type="checkbox"/> Internet/Catalog
Company name _____	
Address _____	
City _____	State _____ Zip _____
Phone _____	
Type of Pool:	
<input type="checkbox"/> Concrete/Gunite	<input type="checkbox"/> Vinyl <input type="checkbox"/> Fiberglass <input type="checkbox"/> Other _____
<input type="checkbox"/> New Installation	<input type="checkbox"/> Replacement
Installation for:	
<input type="checkbox"/> Inground	<input type="checkbox"/> Aboveground <input type="checkbox"/> Spa

Mail to: Hayward Industries, Inc. 620 Division Street, Elizabeth, NJ 07207.  
Attn: Warranty Dept. or Register your warranty on-line at [www.haywardnet.com](http://www.haywardnet.com)

WCPR00000007

**HAYWARD** Pool Products  
*One source. Every pool.*

USE ONLY HAYWARD GENUINE REPLACEMENT PARTS

**USE ONLY HAYWARD GENUINE REPLACEMENT PARTS**