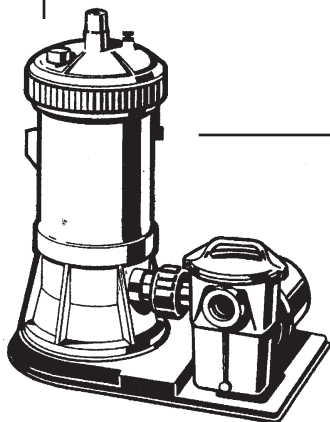


HAYWARD® EASY-CLEAR™ FULL FLO ELEMENT FILTER SYSTEMS

MODELS C-400-1540LSH, C-400-1575 and C-550-1575 SERIES



Hayward's Easy-Clear filters are high performance above-ground swimming pool filters with a filtration rating up to 4,200 gallons (16 Kl) per hour. Manufactured from durable, corrosion-proof materials, Easy-Clear has been designed to provide years of trouble-free operation.

FEATURES

- Easy-Lok™ lid access design provides simple entry to service the cartridge element.
- Built-in check valve prevents accidental loss of pool water when cartridge is being removed for cleaning.
- Unique safety latch prevents overtightening of the cover and secures the filter from unwanted entry.
- Cartridge element is uniquely designed, by Hayward, of high quality, reinforced polyester with a molded center core for easy cleaning, high flow and long life.
- Union connection allows pump or filter to be removed quickly and easily for servicing the system and winterizing.

SYSTEM LOCATION

1. Though the system is designed for outdoor use, it is advisable to protect electrical components from the weather. Select a well-drained area, one that will not flood when it rains.
2. For best pump performance, position the system below the swimming pool water line. If the system must be located above the pool water line, it can be raised as high as 2 feet (610 mm) above the water without affecting the pump's efficiency.

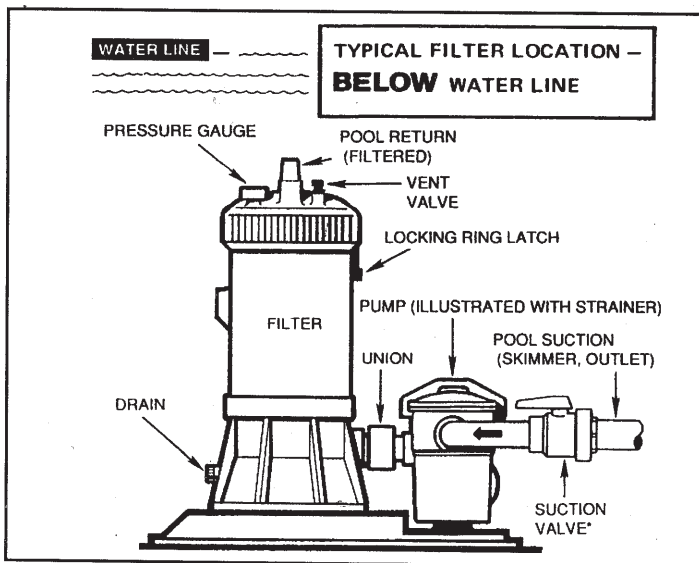
NOTE: NSPI-4 Article V, standard for above-ground and on-ground pools, advises that components such as the filtration system, pumps and heater be positioned so as to prevent their being used as a means of access to the pool by young children.

3. Set the mounting platform level. Keep the cover lock, filter bump handle, drain outlet and pressure gauge accessible for convenient operation.

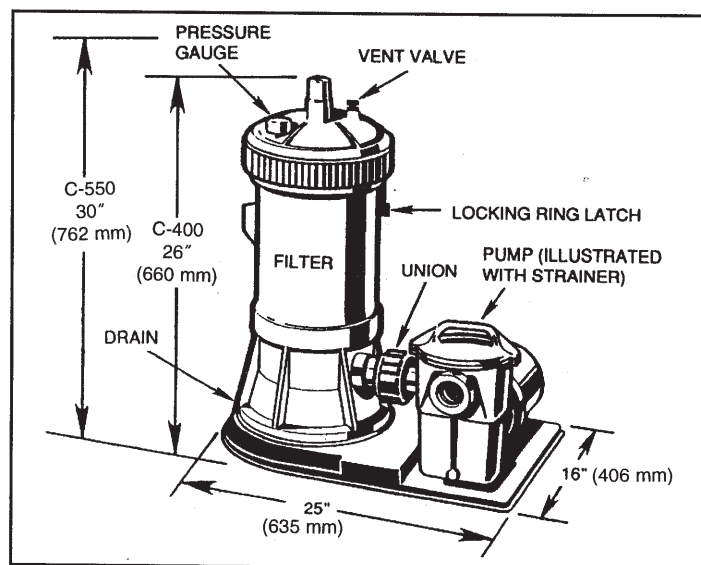
4. Position the system so the filter tank can be drained by gravity.

PLUMBING INSTALLATION

1. Use 1-1/4" or 1-1/2" I.D. flexible plastic pipe, or hose, joined with insert fittings and stainless steel clamps.
2. All plumbing connections on the system are 1-1/2" N.P.T. When making connections, use plastic male-end adapters. Apply three turns of Teflon tape or plastic pipe sealant to the male threads. Screw the fitting into the threads hand tight; then, using a wrench, tighten one more full turn. Additional tightening is unnecessary and could result in damaged components.
3. Refer to the diagrams for suggested valving. Ball-type valves are recommended where needed.



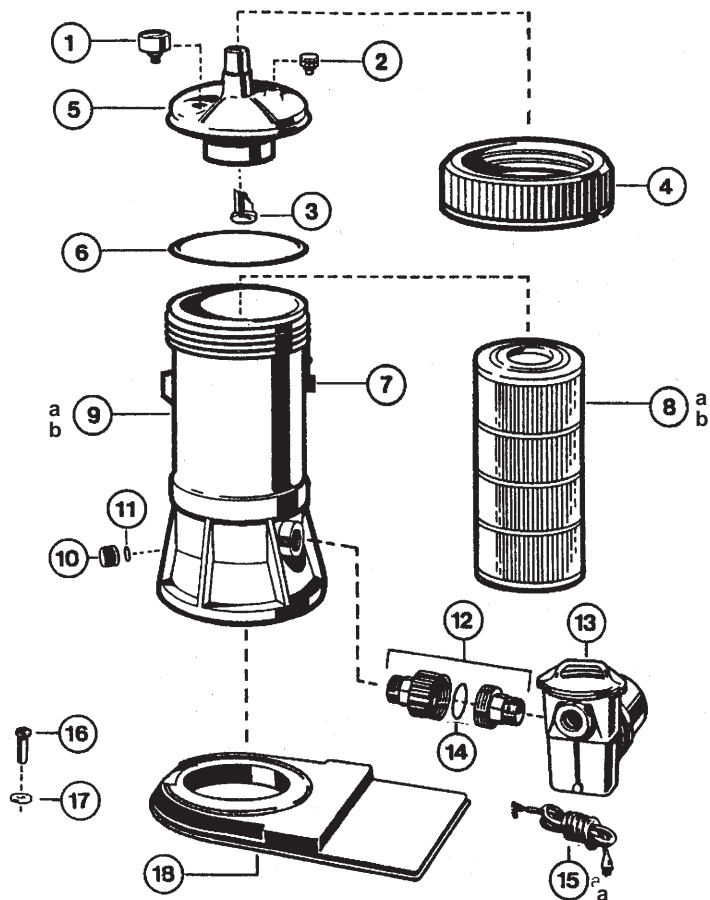
*Not furnished with Filter.



4. Tighten pump base mounting bolts, if loose.
5. Securely hand tighten the union nut between the filter and pump.
6. Connect the pool suction plumbing between the skimmer, pool outlet and the pump.
7. Connect the pool return (inlet) plumbing.
8. If pressure gauge is not installed, apply Teflon tape to the gauge threads, and carefully screw the gauge into the threaded hole in the filter cover.
9. A drain plug is furnished with each filter and is all that is needed for complete filter draining. A manual air vent valve is furnished to aid in bleeding off unwanted air when starting the filter.
10. All electrical connections should be made in accordance with local codes.
11. Check for joint leaks before operating the system.
12. Refer to pump instruction booklet for pump information.

PARTS
Models C-400-1540LSH,
C-400-1575 and C-550-1575
SERIES SYSTEMS

REF. NO.	PART NO.	DESCRIPTION	NO. REQ'D.
1	EXC2710	Gauge	1
2	ECX1322-A	Vent Valve w/O-Ring	1
3	ECX4077-B-1	Check Valve	1
4	CX400-C	Locking Ring	1
5	CX400-BA	Filter Head (Cover), w/Check Valve and Locking Ring	1
6	CX400-G	Filter Head (Cover) O-Ring	1
7	CX400-D	Locking Ring Latch	1
8a	CX410-RE	Filter Element (40 Sq. Ft.)	1
8b	CX550-RE	Filter Element (55 Sq. Ft.)	1
9a	CX400-AA	Filter Body (C-400)	1
9b	CX550-AA	Filter Body (C-500)	1
10	SX200-Z-8	Drain Cap	1
11	SX200-Z-9	Gasket	1
12	SP-1480	1-1/2" Male Union	1
13	SP-1575-1	Power-Flo LX Pump	1
14	SPX1425-Z-6	O-Ring	1
15a	SPX1500-WA	6 Ft. Cord Set	1
15b	SPX1550-WA1	3 Ft. Twist Lock Cord Set (Not Shown)	1
16	ECX1108	Pump Mounting Screw	2
17	ECX1109	Washer	2
18	ECX1161	Platform Base	1



BEFORE STARTING THE FILTER

Superchlorinate the pool water by adding unstabilized granular or liquid chlorine. Stabilized forms of chlorine are recommended for normal daily use after the initial clean up of the water. Follow chemical manufacturer's recommendations for superchlorination and daily use.

STARTING THE FILTER

Be sure filter drain plug is closed. Open manual air relief valve a few turns and open the suction and return valves (when used). **CAUTION: All suction and discharge valves must be open when starting the system. Failure to do so could cause severe personal injury and/or property damage.** Be sure Easy-Lok lid is secure (hand tight only).

Prime and start the pump following the manufacturer's instructions. Air trapped in the system will automatically vent to the pool and out vent valve. Close vent valve as soon as air is vented.

FILTERING

Filtration starts as soon as flow is steady through the filter. As the filter cartridge removes dirt from the pool water, the accumulated dirt causes a resistance to flow. As a result, the gauge pressure will rise and the flow will decrease. When the pressure rises 7-10 psi (.49-.69 Bar) above the starting pressure, or when flow decreases below desired rate, clean or replace the filter cartridge.

CLEAN/REPLACE CARTRIDGE

Removing Cartridge Element

1. Shut off the pump.
2. If filter is located below water level, close valves or block off discharge line to prevent backflow of water from the pool.
3. Unscrew and remove drain plug and allow water to drain from filter. Close drain plug. (Note: To assist draining process; open air vent a few times.)
4. Depress safety latch, unscrew and remove Easy-Lok lid (counterclockwise direction).
5. Carefully lift off lid to gain access to filter cartridge.
6. Lift out cartridge and clean. Or, replace with clean, spare cartridge. (See Cleaning Cartridge)

Reinstalling Cartridge Element

1. Clean any collected debris from the bottom of filter body.
2. Carefully replace cartridge element into filter body ensuring that the cartridge sits evenly on the collector hub in bottom of filter body.
3. Place Easy-Lok lid on filter body and turn clockwise until it engages and is secured by the safety-latch.
4. Proceed as in STARTING THE FILTER.

Cleaning Cartridge

The cartridge filter element can be cleaned by pressure washing inside and out with Hayward's Jet-Action Cleaning Wand (EC-2024) or a garden hose. Rotate cartridge, hosing from top down. (The cartridge is easier to clean when dry.) After hosing the cartridge, for best results, allow cartridge to dry and carefully brush pleated surface areas to remove fine particles.

Algae, suntan oil and body oils can form a coating on the cartridge pleats which may not be thoroughly removed by hosing. To remove such materials, soak the cartridge in a solution of filter element cleaner (various brands available at pool dealer). Follow manufacturer's directions for use and allow an hour for soaking. Hose thoroughly before reinstalling in filter.

If calcium or mineral deposits are excessive, the cartridge may be restored to "like new" condition by soaking in muriatic acid. Use commercially available 20% muriatic acid added to water in 1 to 1 ratio. Use a plastic container and take extreme care when handling cleaning agents as they can be harmful to eyes, skin and clothing. After cleaning, flush with water.

A spare cartridge filter element is an excellent investment. It provides convenience and ensures that your filter will always be ready to operate at peak efficiency.

Hayward Full-Flo element cartridges are specially designed and engineered for use in Easy-Clear filters. For best results, use only genuine Hayward element cartridges in your filter. Order *Model No. CX410-RE or CX550-RE* from your dealer. The Hayward name is your guarantee of quality.

VACUUMING

Vacuuming can be performed directly into the filter when-ever needed. Clean cartridge after vacuuming, if required.

WINTERIZING

In areas where sub-freezing temperatures can be expected, the filter should be drained and/or removed from its operating location and stored indoors. Remove and clean cartridge. Reinstall cartridge in filter tank. Tighten locking knob only a few turns when storing.

SERVICE & REPAIRS

Consult your local authorized *Hayward* dealer or service center. No returns may be made directly to the factory without the expressed written authorization of Hayward Pool Products, Inc.

ALGAE CONTROL

Algae is a form of plant life which can vary in size from a few thousandths of an inch to the size of a small tree. Of the many forms of algae, those most frequently found in swimming pool water are microscopic in size and green in color.

Algae readily grows in sunlight and can, under favorable conditions, quickly overgrow a swimming pool turning it completely green in just a few hours. On the other hand, swimming pool water can be kept unfavorable to algae growth by simply maintaining a chlorine level of at least 0.5 ppm in the water at all times. The chlorine level should be checked at least once a day using a suitable test kit.

If algae condition develops and the pool water "blooms" green, superchlorination of the pool will be necessary to

clear it. Add unstabilized granular chlorine, or liquid chlorine. Follow chemical manufacturer's recommendation for superchlorination. The algae will quickly become inactive and can then be removed by the filter. Live algae, on the other hand, multiplies so fast that the filter cannot keep up with its growth rate.

When correctly used, commercial algaecides are effective against algae, though algaecides should be used in conjunction with, and not as a substitute for, regular chlorination or superchlorination.

Maintaining a chlorine level of at least 0.5 ppm in the pool water at all times is the most effective way to prevent algae growth in swimming pools.

POOL CHEMISTRY GUIDELINES

SUGGESTED POOL CHEMISTRY LEVELS		ACTION REQUIRED TO CORRECT POOL CHEMISTRY	
		TO RAISE	TO LOWER
pH	7.2 to 7.6	Add Soda Ash	Add Muriatic Acid or Sodium Bisulphate
TOTAL ALKALINITY	100 to 130 ppm	Add Sodium Bicarbonate	Add Muriatic Acid
CHLORINE (UNSTABILIZED)	0.3 to 1.0 ppm	Add Chlorine Chemical	No action — chlorine will naturally dissipate
CHLORINE (STABILIZED)	1.0 to 3.0 ppm	Add Chlorine Chemical	No action — chlorine will naturally dissipate
CHLORINE STABILIZER (Cyanuric Acid)	40 to 70 ppm	Add Stabilizer	Dilution—partially drain & refill with pool water that has not been treated with Cyanuric Acid



HAYWARD POOL PRODUCTS, INC.

Hayward Pool Products, Inc.
900 Fairmount Avenue
Elizabeth, NJ 07207

Hayward Pool Products, Inc.
2875 Pomona Boulevard
Pomona, CA 91768

Hayward Pool Products Canada
2880 Plymouth Drive
Oakville, Ontario L6H 5R4

Hayward S.A.
Zone Industrielle de Jumet
B - 6040 Charleroi (Belgium)